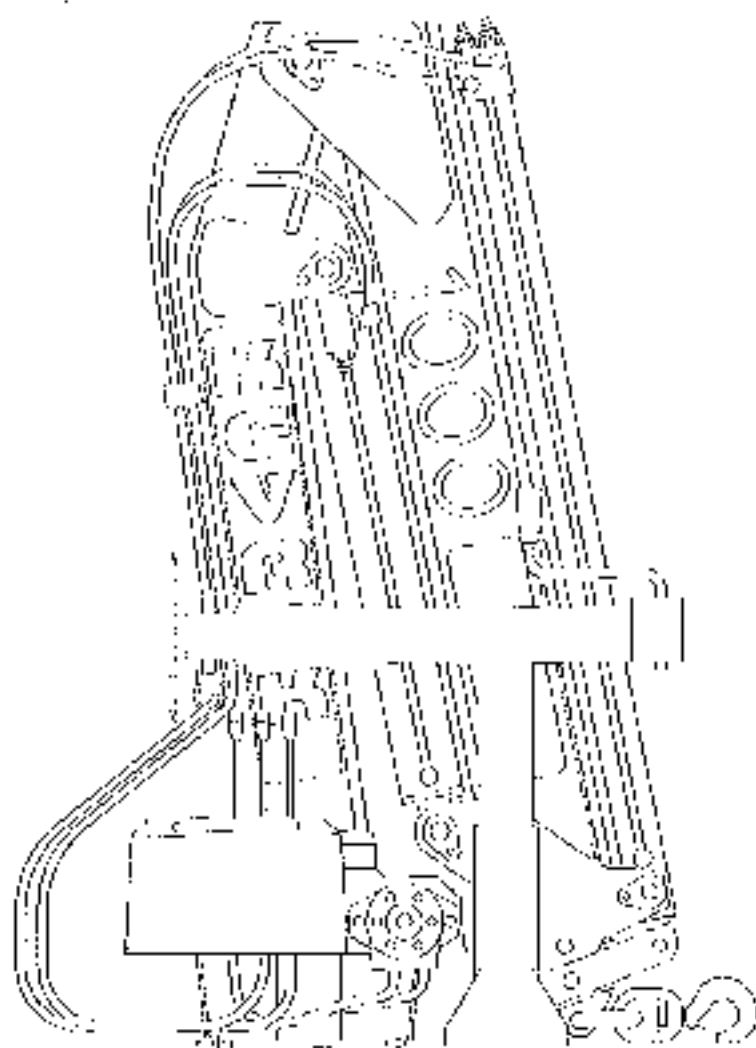


# KEVREK

HYDRAULIC CRANES



OPERATORS AND SPARE  
PARTS MANUAL



KEVREK HY 10 (1967/8)

# INDEX

HYDRAULIC CRANES

# INDEX

(PAGE)

2

OWNER DETAILS	3
MODEL DESCRIPTION	4
SAFETY INSTRUCTIONS	6
OPERATING INSTRUCTIONS	7
MAINTENANCE AND CARE	10
TROUBLE SHOOTING	11
INSTALLATION INSTRUCTIONS	12
SLEW STOP ADJUSTMENT	14
TECHNICAL INFORMATION	15
SPARE PARTS	21

HYDRAULIC CRANES

(PAGE 3)

OWNER DETAILS

OWNER: .....

ADDRESS: .....

PURCHASED FROM: .....

ADDRESS: .....

TELEPHONE: ..... FAX: .....

DATE OF PURCHASE: .....

CRANE MODEL: .....

OPTIONS FITTED: .....

SERIAL NUMBER: .....

ALL HAYNEK CRANES ARE COVERED BY A THREE MONTH WARRANTY FROM THE DATE OF PURCHASE.

PLEASE READ AND UNDERSTAND THE OPERATOR AND SAFETY INSTRUCTIONS SUPPLIED IN THIS MANUAL BEFORE ATTEMPTING TO OPERATE THIS CRANE.

\*\*\*

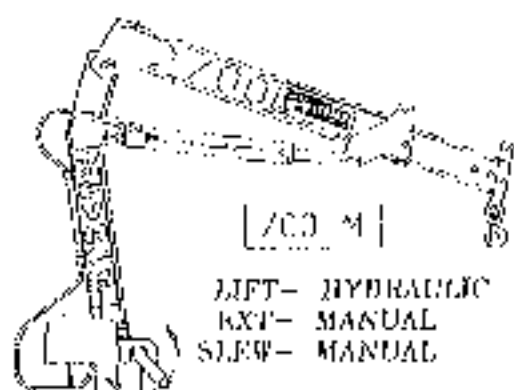
# IRCO VULCAN

HYDRAULIC CRANES

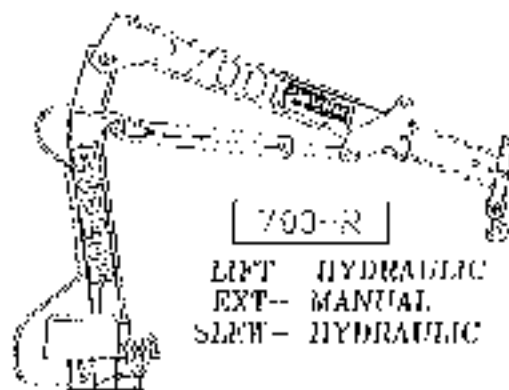
# 700

PAGE 4

## MODEL DESCRIPTION

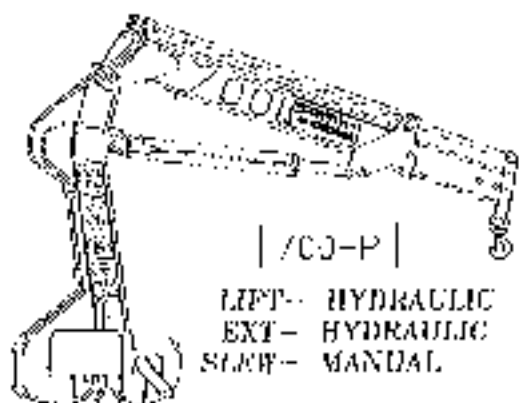


700-M  
LIFT- HYDRAULIC  
EXT- MANUAL  
SLEW- MANUAL

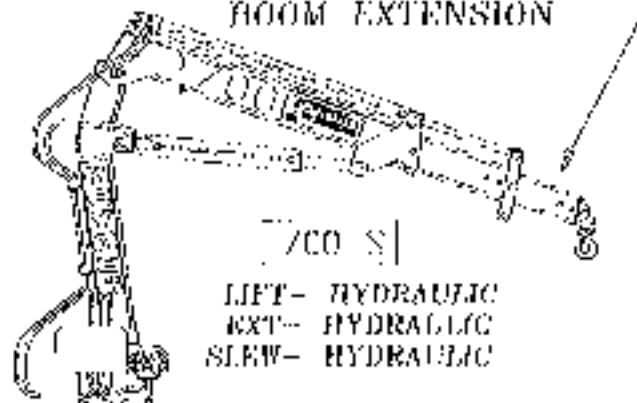


700-R  
LIFT- HYDRAULIC  
EXT- MANUAL  
SLEW- HYDRAULIC

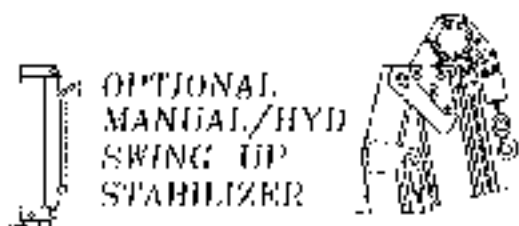
SHOWS OPTIONAL EXTRA MANUAL  
BOOM EXTENSION



700-P  
LIFT- HYDRAULIC  
EXT- HYDRAULIC  
SLEW- MANUAL

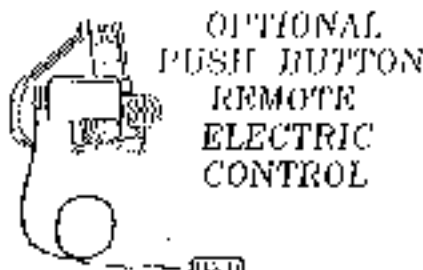


700-S  
LIFT- HYDRAULIC  
EXT- HYDRAULIC  
SLEW- HYDRAULIC



OPTIONAL  
MANUAL/HYD  
SWING UP  
STABILIZER

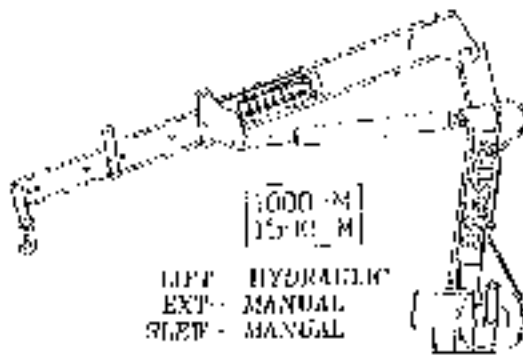
OPTIONAL  
HYDRAULIC  
WINCH



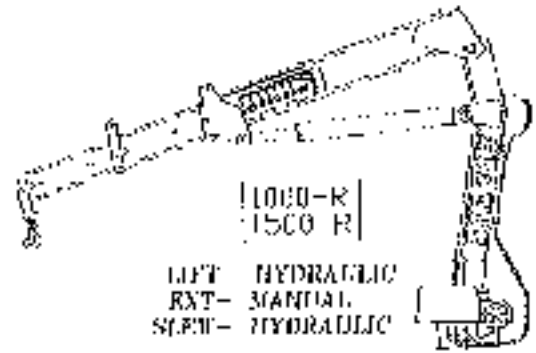
OPTIONAL  
PUSH BUTTON  
REMOTE  
ELECTRIC  
CONTROL

## HYDRAULIC CRANES

## MODEL DESCRIPTION

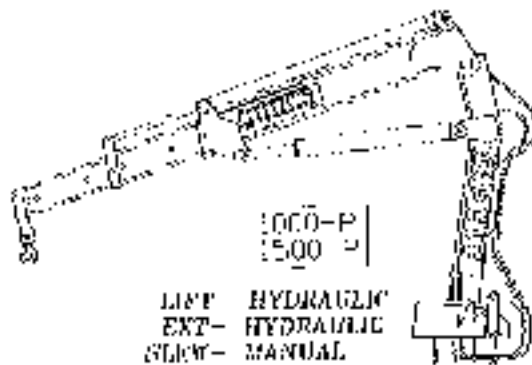


LIFT - HYDRAULIC  
EXT - MANUAL  
SLEW - MANUAL



LIFT - HYDRAULIC  
EXT - MANUAL  
SLEW - HYDRAULIC

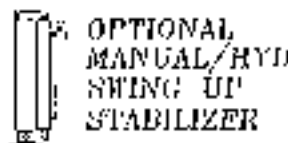
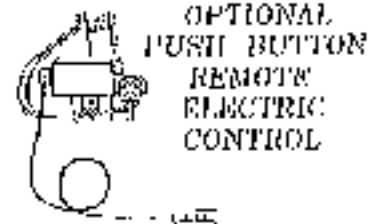
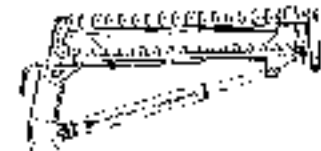
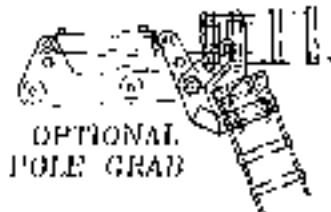
SHOWS OPTIONAL EXTRA MANUAL ROOM EXTENSION



LIFT - HYDRAULIC  
EXT - HYDRAULIC  
SLEW - MANUAL



LIFT - HYDRAULIC  
EXT - HYDRAULIC  
SLEW - HYDRAULIC



## HYDRAULIC CRANES

## SAFETY INSTRUCTIONS

PLEASE READ AND UNDERSTAND OPERATING AND SAFETY INSTRUCTIONS BEFORE USING THIS CRANE.

- \* ENSURE VEHICLE IS ON SECURE GROUND, AND VEHICLE PARKING BRAKE IS ENGAGED PRIOR TO OPERATING CRANE.
- \* NEVER OPERATE CRANE ON UNLEVEL GROUND, (UP TO 5° INCLINE)
- \* NEVER OPERATE THE CRANE WITHOUT THE STABILIZER LEG OR LEG'S IN POSITION ON FIRM GROUND.
- \* IF GROUND BELOW STABILIZER LEG IS NOT FIRM, PLACE WOODEN OR STEEL PLANKS UNDER LEG TO STOP LEG FROM SINKING INTO THE GROUND UNDER WEIGHT.
- \* THE STABILIZER LEG MUST NOT BE ADJUSTED WHILE LOAD IS SUPPORTED BY THE CRANE
- \* NEVER STAND UNDER A LOAD WHEN SUSPENDED FROM THE CRANE.
- \* WHEN DRIVING VEHICLE ALWAYS ENSURE CRANE IS IN PARKED TRANSPORT POSITION, NEVER DRIVE WITH LOAD SUSPENDED FROM CRANE, OR WITH HOOM EXTENDED.
- \* NEVER MODIFY THE CRANE IN ANY WAY.
- \* NEVER USE THE CRANE FOR PULLING OR TOWING THE LOAD.
- \* ALWAYS ENSURE LOAD IS LIFTED CLEAR OF GROUND BEFORE ATTEMPTING TO SLEW, NEVER DRAG LOAD ALONG GROUND BY SLEW MECHANISM.
- \* NEVER OPERATE THE CRANE UNDER OR NEAR OVERHEAD ELECTRIC WIRES.
- \* OBSERVE THE LOAD CHART AFFIXED TO BOTH SIDES OF THE CRANE, AND NEVER EXCEED OR OVERLOAD THE CRANE.
- \* NEVER POSITION YOURSELF BETWEEN VEHICLE AND SUSPENDED LOAD.
- \* NEVER CONTINUE OPERATING THE UNIT WITH LOW VEHICLE BATTERY POWER SUPPLY- LOW DC POWER PACK OIL LEVEL OR WITH WORN OR FAULTY COMPONENTS.
- \* ALWAYS USE GENUINE KEVREK SPARE PARTS.
- \* CONSULT YOUR KEVREK DEALER FOR REPAIR OR MAINTENANCE WORK REQUIRED.

ALWAYS PUT SAFETY FIRST

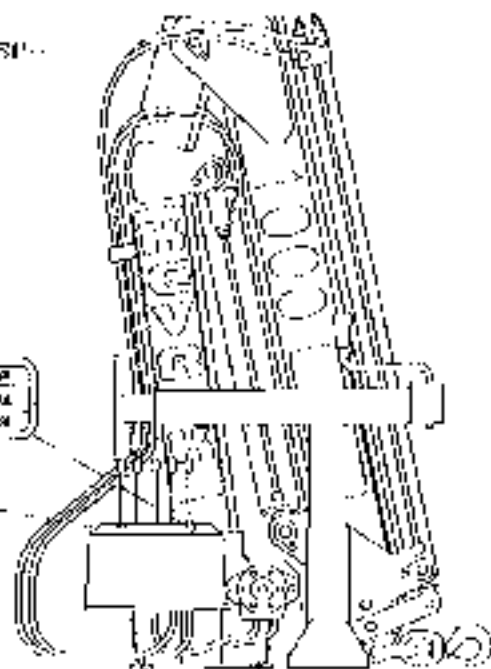
## HYDRAULIC CRANES

## OPERATING INSTRUCTIONS

READ AND UNDERSTAND OPERATOR INSTRUCTIONS BEFORE USING THIS CRANE.

1. REMOVE MANUAL STABILIZER LEG FROM TRANSPORT MOUNT AND INSERT INTO UNDERBODY MOUNT. LOWER LEG ONTO FIRM GROUND VIA PIN ADJUSTMENT AND FINAL SCREW DOWN ADJUSTMENT.
2. TURN BATTERY ISOLATOR KEY CLOCKWISE TO ON POSITION.
3. YOUR KEENEWORTH CRANE IS NOW POWERED READY FOR WORK.
4. THE HYDRAULIC CONTROL LEVER CONSOLE AT THE BASE OF THE CRANE IS LABELED FOR EACH FUNCTION, OPERATE LEVER IN LINE WITH FUNCTION REQUIRED.
5. ALL HYDRAULIC FUNCTIONS OF THE CRANE ARE PROPORTIONALLY CONTROLLED. WHEN ACTIVATING THE REQUIRED VALVE LEVER ON THE CONTROL CONSOLE THE FIRST 5° OF LEVER MOVEMENT SERVES TO START THE MOTOR OF THE ELECTRIC POWER PACK. ALL PROGRESSIVE LEVER MOVEMENT FROM THIS POINT WILL RESULT IN A PROGRESSIVELY FASTER HYDRAULIC MOVEMENT.
6. WHERE BOOM EXTENSION FUNCTION IS NOT HYDRAULIC, IE MANUAL PINNED, ENSURE THE BOOM IS PINNED AT THE CORRECT LENGTH PRIOR TO LIFTING LOAD.  
NOTE: NEVER ADJUST MANUAL BOOM WHILE LOAD IS SUSPENDED.
7. WHERE THE SLEWING FUNCTION IS NOT HYDRAULIC, IE-MANUAL CRANK, PLACE THE CRANK HANDLE IN THE SLEW HOUSING AT THE BASE OF THE CRANE, AND CRANK MANUAL CLOCKWISE OR COUNTER CLOCKWISE AS DESIRED.
8. IF YOU DO NOT KNOW THE WEIGHT OF YOUR LOAD, PICK IT UP FROM THE SHORTEST REACH POSSIBLE AND NEVER EXTEND WITH THE POSSIBILITY OF OVERLOADING THE CRANE.
9. ON COMPLETION OF LOADING, PARK CRANE IN CORRECT TRANSPORT POSITION.
10. TURN BATTERY ISOLATOR KEY ANTI CLOCKWISE TO OFF POSITION.
11. RAISE STABILIZER LEG AND REPLACE IN TRANSPORT MOUNT.

SKETCH BELOW SHOWS CORRECT PARKING ARRANGEMENT OF CRANE AND CORRECT VALVE SEQUENCE.



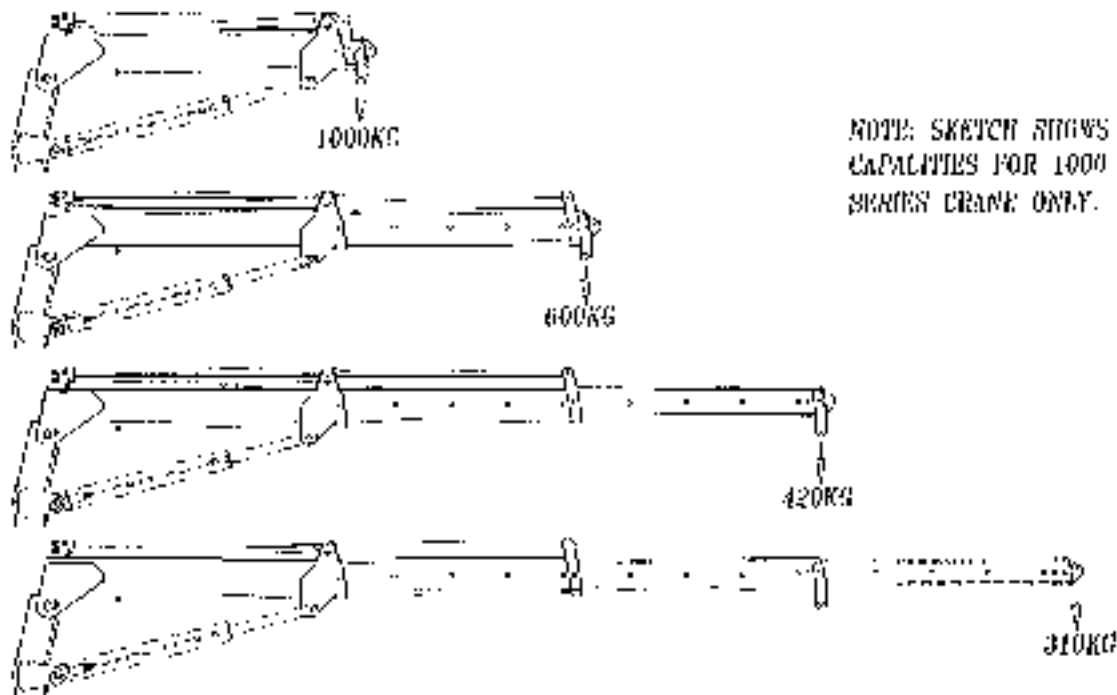
## HYDRAULIC CRANES

## OPERATING INSTRUCTIONS

SKETCH BELOW SHOWS CORRECT OPERATIONAL SEQUENCE OF THE CRANE EXTENSION BOOM SECTIONS.

ALWAYS USE LOADER AT SHORTEST POSSIBLE BOOM EXTENSION, BUT WHEN IT IS NECESSARY TO EXTEND THE CRANE BOOMS TO OBTAIN LONGER REACH DO SO BY ALWAYS USING THE LARGEST BOOM SECTION THEN THE NEXT LARGEST AND SO ON IN LOGICAL SEQUENCE AS SHOWN BELOW.

CRANES FITTED WITH DUAL HYDRAULIC EXTENSION BOOMS, HAVE SEQUENCING VALVES PRESET, HOWEVER IF IN THE COURSE OF OPERATION THE BOOMS START TO OPERATE OUT OF SEQUENCE THEN RETURN TO YOUR LOCAL KRYVAK DEALER TO ADJUST THE CRANE.



### SKETCH BELOW SHOWS INCORRECT OPERATIONAL SEQUENCE OF THE CRANE EXTENSION BOOM SECTIONS

WHEN LOADING AT THIS RADIUS, THE FIRST EXTENSION SECTION SHOULD BE USED.

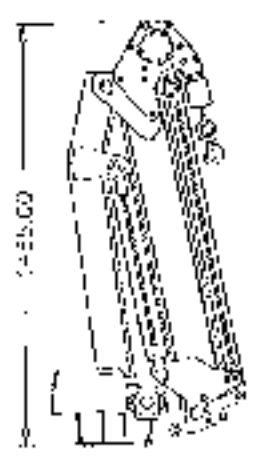




# HYDRAULIC WINCH (PAGE 9)

## HYDRAULIC CRANES OPERATING INSTRUCTIONS

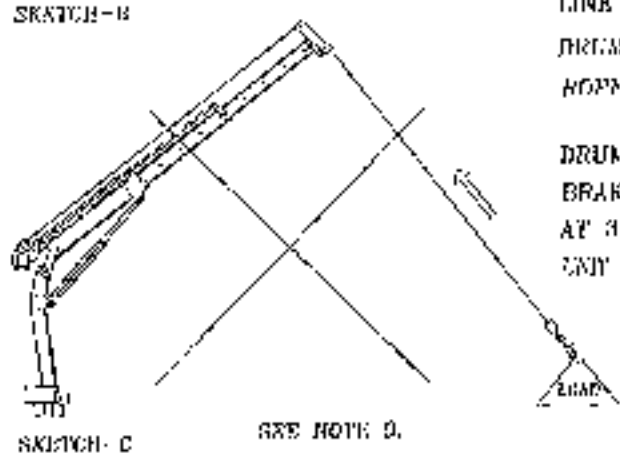
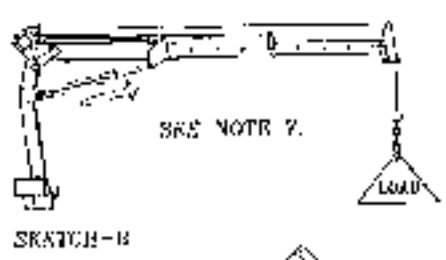
READ IN CONJUNCTION WITH CRANE OPERATING INSTRUCTIONS PAGE 8



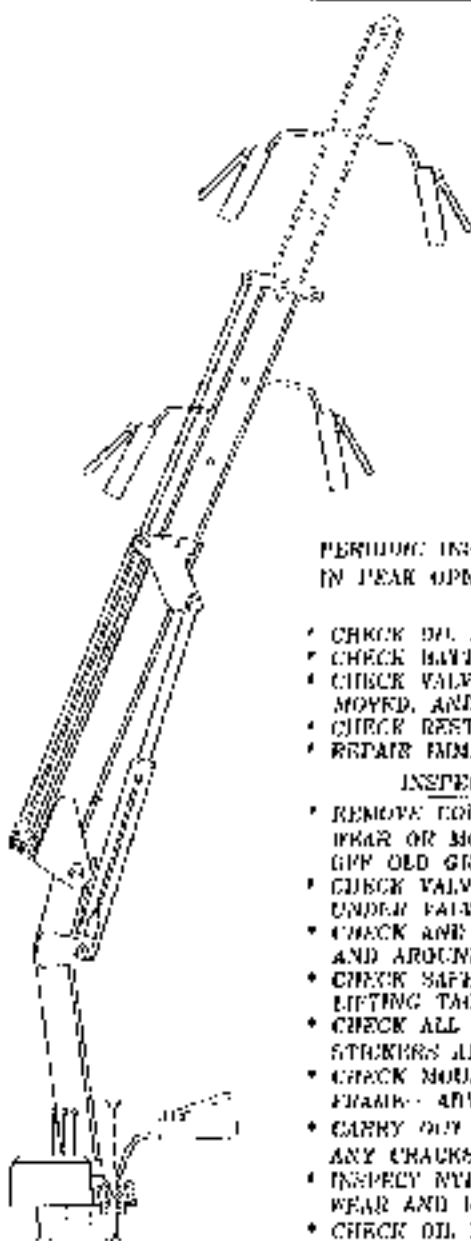
SKETCH-A  
(2000/1500 SPECIES)

1. RAISE MAIN BOOM OF CRANE AND PIN SHEAVE BLOCK ASSEMBLY TO END OF BOOM.
2. RUN WINCH ROPE OUT PAST SHEAVE BLOCK ASSEMBLY AND LAY ROPE INTO SHEAVE ROLLERS.
3. INSTALL ROPE RETAINING PIN.
4. WINCH ROPE MUST NOT BE LOWERED DOWN TO ENABLE CRANE BOOM TO BE EXTENDED TO REQUIRED LENGTH.
5. THE HYDRAULIC WINCH HAS A MAXIMUM LIFT CAPACITY OF 500KG CONSTANT LINE PULL, THIS SHOULD BE OBSERVED WHEN OPERATING THE WINCH AT FULL CRANE BOOM EXTENSION.
6. WHEN OPERATING WINCH ENSURE CRANE LOAD CAPACITY STATED ON BOTH SIDES OF MAIN BOOM, IS NOT EXCEEDED.
7. IF WEIGHT OF LOAD BEING LIFTED IS NOT KNOWN, FIRST TAKE UP ROPE SLACK WITH WINCH, THEN TEST LIFT WITH MAIN BOOM CYLINDER. IF MAIN BOOM CYLINDER WILL NOT LIFT WEIGHT, DO NOT PROCEED TO WINCH AS THIS WILL OVERLOAD THE CRANE. RETRACT EXTENSION BOOMS UNTIL THE MAIN BOOM LIFT CYLINDER WILL LIFT THE WEIGHT, THEN WINCHING CAN PROCEED.
8. BEFORE SLIKING CRANE, ENSURE LOAD IS CLEAR OF GROUND.
9. THE WINCH IS DESIGNED FOR VERTICAL LIFTING ONLY, AND SHOULD NOT BE USED FOR TOWING OR DEAGING OF TRIGHT.
10. ON COMPLETION OF LOADING, REMOVE SHEAVE BLOCK, RETRACT WINCH ROPE, AND PARK CRANE IN TRANSPORT POSITION.

### WINCH SPECIFICATIONS



- LINE PULL-675KG 1st RAP
- 645KG 2nd RAP
- 545KG 3rd RAP
- LINE SPEED UNLOADED 0.9 > 7.6 METERS P/MIN
- LINE SPEED LOADED-- 5.9 > 6.5 METERS P/MIN
- DRUM ROPE CAPACITY - 18 METERS IN 3 RAPS.
- ROPE SPECIFICATION- 5mm 7X19 92070 GALVANIZED STEEL CORR.
- DRUM TORQUE - 600nm.
- BRAKE TORQUE- 430nm STATIC, 700KG LOADHOLD AT 3 RAPS.
- LINE WEIGHT- APPROX 21KG TOTAL.



AS THE OWNER OF A KEVREK CRANE, YOU CAN EXPECT IT TO CONTINUE OPERATING SAFELY AND RELIABLY FOR MANY YEARS.

THIS STATEMENT AND OUR WARRANTY HOWEVER, PRESUPPOSES THAT THE CRANE WILL BE SUBJECTED TO REGULAR INSPECTION AND PREVENTATIVE & SERVICE MAINTENANCE.

IF THE CRANE IS TO BE LEFT UNWORKED FOR A LONG PERIOD OF TIME, CLEAN ALL SAND AND LIME ETC. FROM THE CRANE AND FROM AROUND THE SLEW BASE, GREASE ALL AREAS SHOWN IN SKETCH, SPRAY LUBRICANT (CRC) ONTO CONTROL VALVE AND MICRO SWITCHES AND ENSURE CRANE IS CORRECTLY PARKED WITH BATTERY ISOLATED. IT IS RECOMMENDED THAT A COMPLETE SERVICE IS CARRIED OUT BY A QUALIFIED KEVREK SERVICE AGENT, AFTER FIRST SIX MONTHS OF OPERATION AND THEREAFTER EVERY TWELVE MONTHS.

PERIODIC INSPECTION AND MAINTENANCE WILL KEEP YOUR KEVREK CRANE IN PEAK OPERATING AND SAFETY CONDITION.

### WEEKLY INSPECTION

- \* CHECK OIL LEVEL IN HYDRAULIC OIL TANK
- \* CHECK BATTERY ISOLATOR KEY IS FUNCTIONAL.
- \* CHECK VALVE MICROSWITCHES START ELECTRIC MOTOR WHEN LEVER IS MOVED, AND STOP MOTOR WHEN LEVER IS RETURNED TO NEUTRAL.
- \* CHECK REST OF CRANE FOR DAMAGE.
- \* REPAIR IMMEDIATELY ANY COMPONENT ON THE CRANE THAT IS DAMAGED.

### INSPECTION AND MAINTENANCE EVERY 3 MONTHS

- \* REMOVE CONSOLE COVER AND INSPECT SLEW WORM FOR EXCESSIVE WEAR OR MOVEMENT - REPLACE OR TIGHTEN AS NECESSARY, CLEAN OFF OLD GREASE AND APPLY FRESH GREASE.
- \* CHECK VALVE LEAD SEAL IS IN PLACE. CHECK HOSE CONNECTIONS UNDER TALKIE AND TIGHTEN IF NECESSARY.
- \* CHECK AND TIGHTEN HYDRAULIC CONNECTIONS AROUND POWER PACK AND AROUND CRANE, LEG AND SLEW MOTOR.
- \* CHECK SAFETY LATCH ON HOOK AND GENERAL CONDITION OF OTHER LIFTING TACKLE THAT IS USED.
- \* CHECK ALL NOTICES, LOAD CHART STICKERS AND VALVE LEVER STICKERS ARE IN PLACE AND LEGIBLE.
- \* CHECK MOUNTING BOLTS AND STRUCTURAL INTEGRITY OF MOUNTING FRAME - ADVANCE THREAD IF NECESSARY.
- \* CARRY OUT VISUAL INSPECTION OF STRUCTURAL PARTS TO DETECT ANY CRACKS OR DEFORMATION.
- \* INSPECT NYLON WEAR BUTTONS BETWEEN BOOM SECTIONS FOR EXCESSIVE WEAR AND REPLACE IF NECESSARY.
- \* CHECK OIL LEVEL IN HYDRAULIC OIL TANK.
- \* LUBRICATE POINTS SHOWN IN SKETCH WITH HEAVY, GOOD QUALITY GREASE.
- \* PUT CRANE THROUGH FULL CAPACITY TEST LOAD AND LISTEN FOR ANY SUSPICIOUS NOISES OR EXCESSIVE PLAY IN JOINTS.

THE OIL LEVEL IN POWER PACK OF YOUR KEVREK CRANE SHOULD BE CHECKED WITH THE CRANE IN THE FULLY LOADED POSITION AND SHOULD BE AT THE LEVEL INDICATED IN THE SKETCH.

HYDRAULIC OIL SHOULD BE CHANGED EVERY 12 MONTHS. USE ONLY FRESH HIGH QUALITY 46 WEIGHT HYDRAULIC OIL.

REMOVE POWER PACK FRONT COVER EVERY SIX MONTHS TO INSPECT MOTOR BRUSHES. INSTALL NEW BRUSHES IF NECESSARY AND RE-INSTALL FRONT COVER SECURELY.



## TROUBLE SHOOTING

CRANE WILL OPERATE BUT HYDRAULIC ACTION IS SLOW & JERKY:

- \* CHECK OIL IN POWER PACK OIL TANK - TOP UP IF NECESSARY
- \* CHECK OIL TANK FOR CONTAMINATION & POSSIBLE CONTAMINANTS IN CONTROL VALVE OR LOAD HOLDING VALVES. DRAIN COMPLETE HYDRAULIC SYSTEM, FLUSH VALVES WITH KEROSENE. AFTER REASSEMBLY BE SURE TO BLEED ALL HYDRAULIC FUNCTIONS FREE OF AIR.

ISOLATOR KEY IS ON BUT CRANE WILL NOT RUN:

- \* CHECK 5amp IN-LINE FUSE IN HARNESS RUNNING FROM VALVE CONSOLE DOWN TO ELECTRIC POWER PACK SOLENOID. REPLACE IF NECESSARY.
- \* CHECK ISOLATOR KEY FOR CORRECT OPERATION - REPLACE IF FAULTY.
- \* CHECK FOR FAULTY MOTOR SOLENOID OR ELECTRIC MOTOR BRUSHES. REPLACE IF NECESSARY.

CRANE WILL NOT SUPPORT FULL PERMISSIBLE LOAD WITHOUT SLOWLY LOWERING DOWN:

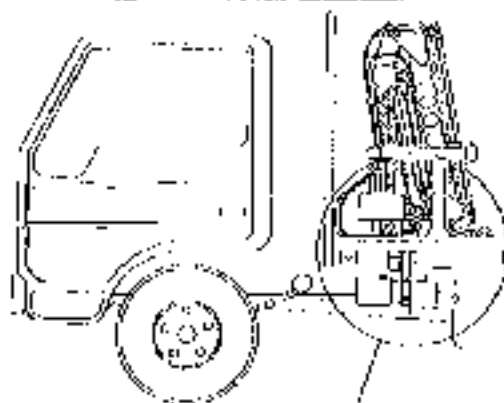
- \* LOAD HOLDING VALVE IS POSSIBLY BLOCKED WITH CONTAMINANTS OR IN NEED OF ADJUSTMENT - CONTACT YOUR KEYSER AGENT FOR THIS SERVICE.

CRANE WILL NOT LIFT ALLOWABLE LOAD:

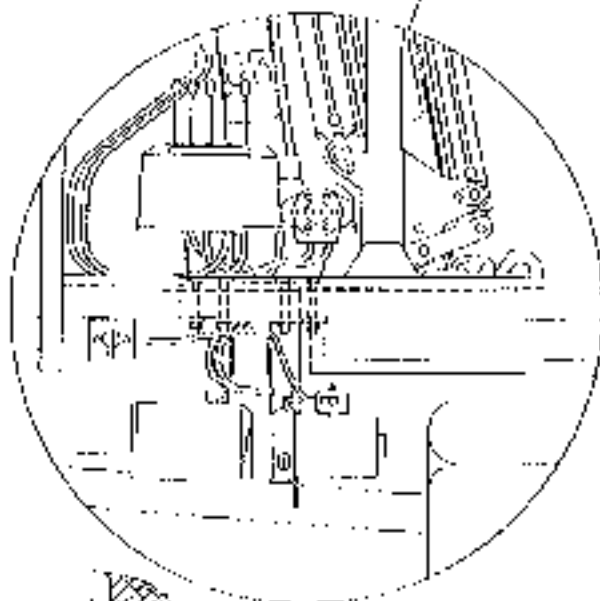
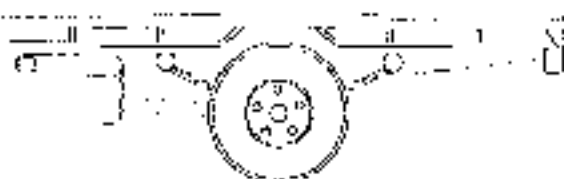
- \* PRESSURE RELIEF VALVE ON ELECTRIC POWER PACK OR CONTROL VALVE REQUIRES ADJUSTMENT - CONTACT YOUR KEYSER AGENT FOR THIS SERVICE.

## HYDRAULIC CRANES

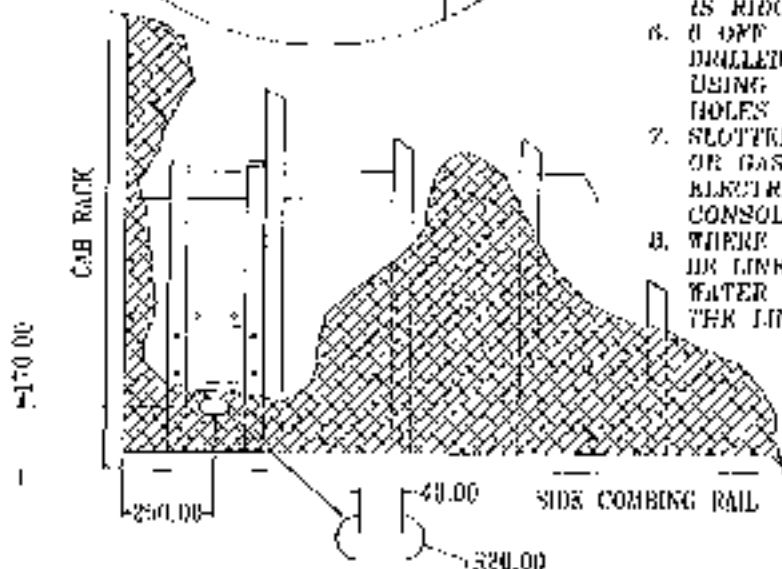
## INSTALLATION INSTRUCTIONS



**IMPORTANT**  
 IS A KEYTEX WINCH IS TO BE FITTED, YOU WILL NEED TO ALLOW 400mm FROM EITHER THE CAB RACK OR TOOLBOX TO THE CENTER OF THE MOUNTING FRAME. FAILURE TO DO THIS WILL CAUSE THE WINCH TO POOL WHEN THE DOOR IS IN THE HORIZONTAL POSITION.



1. WHEN FITTING LADDER, MAKE NOTE OF UNDERFLOOR CROSS SUPPORT LOCATIONS. WHEN CORRECTLY FITTED, THE MOUNTING FRAME SITS IN THE CAVITY BETWEEN THE MAIN LOAD BEARER AND THE FLOOR PLATE, AND BETWEEN 2 CROSS BEAMERS, AND BUTTS UP TO THE SIDE COMBING RAIL.
2. DISCONNECT VEHICLE BATTERY SUPPLY IN PREPARATION FOR WELDING.
3. FIT MOUNTING FRAME UNDER FLOOR OF VEHICLE ALLOWING AT LEAST 250mm FROM VEHICLE HEAD BOARD TO CENTER OF MOUNTING FRAME.
4. JACK MOUNTING FRAME HARD UP UNDER VEHICLE FLOOR PLATE AND PULLED HARD UP AGAINST VEHICLE SIDE COMBING RAIL.
5. MOUNTING FRAME CAN NOW BE WELDED TO SIDE COMBING RAIL, TO MAIN LOAD BEARER, TO CROSSBEAMERS AND TO UNDER FLOORPLATE TO ENSURE FRAME IS RIGIDLY MOUNTED.
6. 6 OFF 12mm HOLES CAN NOW BE DRILLED THROUGH VEHICLE FLOOR PLATE USING PRE DRILLED MOUNTING FRAME HOLES AS GUIDE.
7. SLOTTED HOLE CAN NOW BE DRILLED OR GAS CUT TO ALLOW HYDRAULIC AND ELECTRIC LINES TO GO FROM CONTROL CONSOLE TO ELECTRIC POWER PACK.
8. WHERE POSSIBLE SLOTTED HOLE SHOULD BE LINED WITH PINCH MOULD OR SPLIT WATER HOSE TO STOP ABRASION ON THE LINES.
9. MOUNT CRANK ON TOP OF FLOOR, AND PASTER THROUGH MOUNTING FRAME THEN THROUGH MOTOR MOUNTING FRAME, USING BOLTS SUPPLIED WITH KIT.



CONTINUED NEXT PAGE

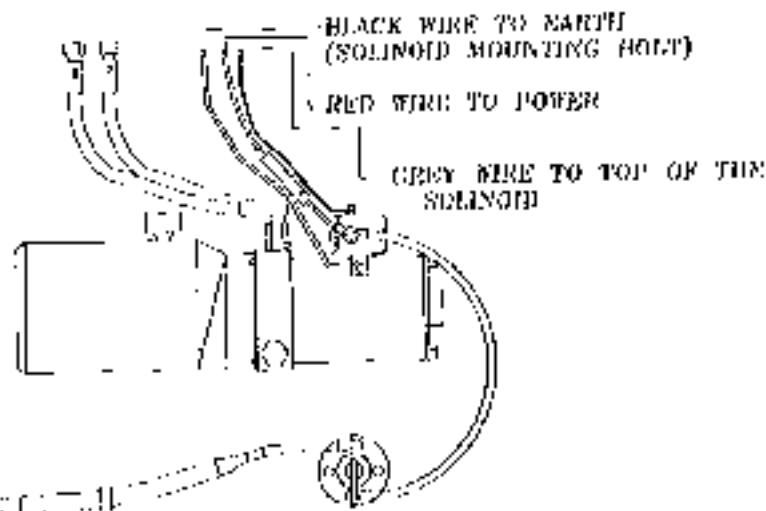
# ROCKWELL

PAGE 13

## HYDRAULIC CRANES INSTALLATION INSTRUCTIONS

CONTINUED FROM PAGE 12

10. FEED 2 HYDRAULIC HOSES THROUGH SLOTTED HOLE IN FLOOR PLATE.
11. FIT ELECTRIC POWER PACK UP TO MOTOR MOUNTING BASE UNDER VEHICLE BODY.
12. CONNECT HYDRAULIC HOSES HANGING THROUGH SLIT IN VEHICLE FLOOR PLATE, THE LARGE ELBOW FITTING TO LARGE NIPPLE ON NEAR SIDE OF POWER PACK, AND THE SMALL ELBOW FITTING TO SMALL NIPPLE ON FAR SIDE OF POWER PACK.
13. CONNECT ELECTRICAL HARNESS FROM CONTROL CONSOLE THROUGH VEHICLE FLOOR, TO MOTOR STARTER SOLINOID AS SHOWN BELOW.
14. WELD OR BOLT BATTERY ISOLATOR KEY (SUPPLIED IN KIT) UNDER VEHICLE FLOOR PLATE OR IN A CONVENIENT LOCATION ON VEHICLE COMING RAIL, CLOSE ENOUGH SO THAT THE CABLE CAN BE CONNECTED TO THE LARGE LUG ON THE NEAR SIDE OF THE ELECTRIC MOTOR STARTER SOLINOID.
15. RUN INSULATED BATTERY CABLE FROM NEAR POSITIVE TERMINAL ON VEHICLE BATTERY (CAUTION, DO NOT CONNECT TO BATTERY POLE YET), ALONG VEHICLE CHASSIS TO SPARE TERMINAL ON BATTERY ISOLATOR KEY. NOTE: CABLE LENGTH IS SUPPLIED TO ACCOMMODATE FOR A MAJORITY OF VEHICLE TYPES AND FITTING POSITIONS, AND THEREFORE MAY PROVE TO BE OVER LENGTH. IF THIS IS THE CASE, SIMPLY RUN THE CABLE ALONG CHASSIS, PAST POWER PACK AND LOOP BACK TO MAKE CONNECTION, USING ZIP TIES TO FASTEN TO CHASSIS AS OFTEN AS PRACTICAL.
16. ENSURE THAT VEHICLE BODY IS PROPERLY GROUNDED TO CHASSIS SO THAT A SUITABLE EARTH IS OBTAINED FOR ELECTRIC POWER PACK.
17. RECONNECT ALL VEHICLE ELECTRICAL WIRES TO ORIGINAL POSITIONS.
18. CONNECT INSULATED CABLE TO POSITIVE TERMINAL ON VEHICLE BATTERY.
19. DOUBLE CHECK THAT WERN BATTERY CONNECTIONS WERE TIGHTENED TOGS DID NOT BEING DOWN TO TOUCH AND POSSIBLY EARTH ON ANY BODY OR CHASSIS PARTS NEARBY.
20. DOUBLE CHECK AND TIGHTEN ALL CRANE MOUNTING BOLTS.
21. CHECK POWER PACK OIL LEVEL.
22. THIS CRANE HAS BEEN FACTORY RUN AND PRESSURE TESTED, THEREFORE HYDRAULIC SYSTEM IS FULLY PRIMED, HOWEVER UNIT MAY NEED TO BE RUN THROUGH A COMPLETE CYCLE BEFORE LIFTING TRIGHT DOR TO REPTTING OF HOSES.

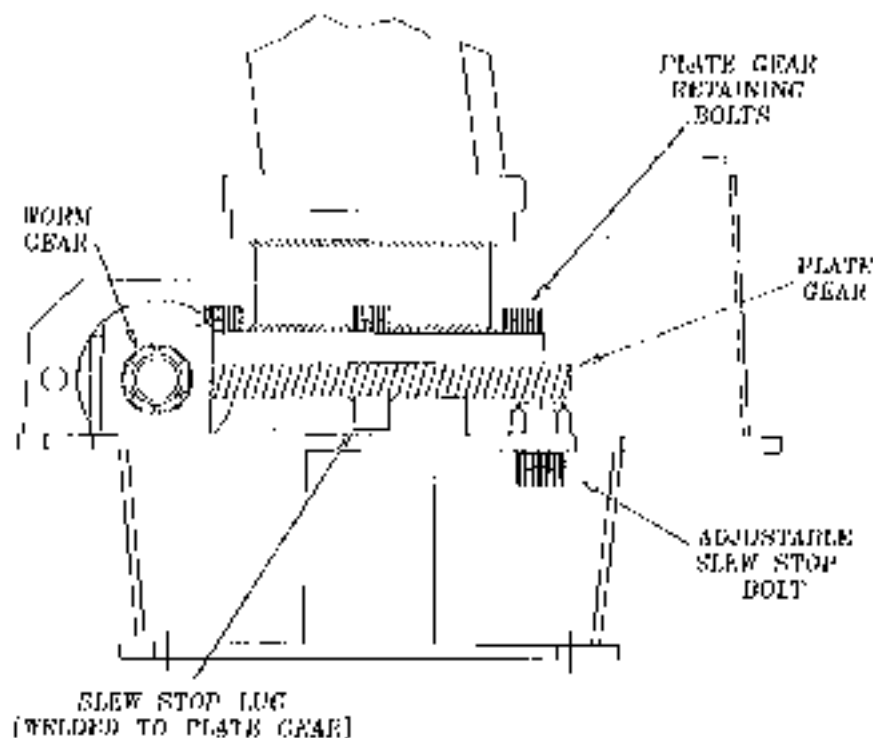


## HYDRAULIC CRANES SLEW STOP ADJUSTMENT

ALL KEVREK CRANES ARE FITTED WITH A FOUR POSITION ADJUSTABLE SLEW ROTATION STOP, ALLOWING 330° SLEWING ANGLE. THE SLEW STOP IS FITTED TO ELIMINATE CONTINUOUS ROTATION IN ONE DIRECTION CAUSING THE HYDRAULIC HOSES TO BE STRETCHED AND DAMAGED.

TO ADJUST THE POSITIONING OF THE SLEW STOP:

1. REMOVE PLASTIC CONTROL COVER.
2. REMOVE ADJUSTABLE SLEW STOP BOLT & REPLACE IN 1 OF 4 POSITIONS.
3. WHERE THE ROTATION STOP POSITION WAS CHANGED BY MORE THAN 90°, THE EXIT DIRECTION OF THE HYDRAULIC HOSES FROM THE BASE, MAY HAVE TO BE REDIRECTED FROM LEFT TO RIGHT HAND EXIT ACCORDING TO SLEW STOP ADJUSTMENTS MADE.
4. REINSTALL PLASTIC CONTROL COVER.
5. TEST CRANE SLEW ROTATION TO ENSURE ALL ADJUSTMENTS MADE WERE CORRECT.









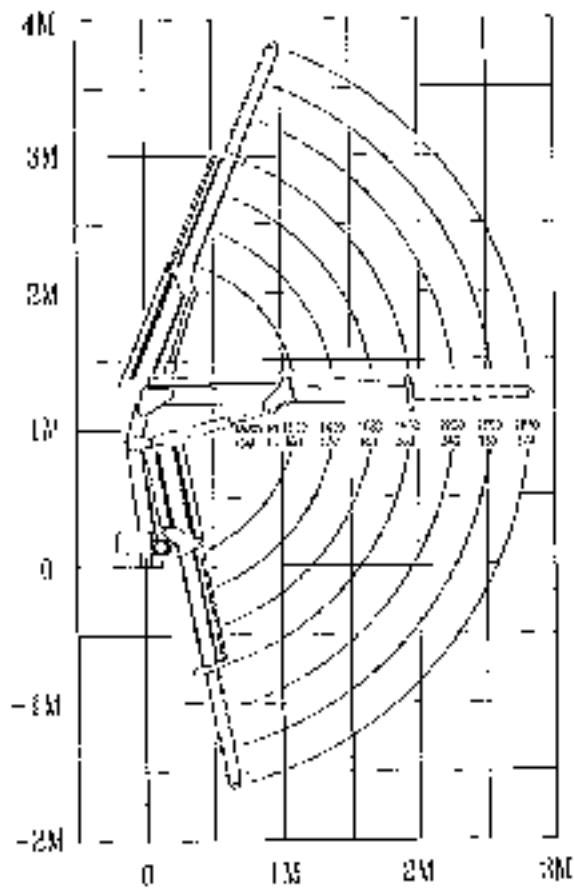
# BOEVIKRENN

## HYDRAULIC CRANES

## 700 SERIES

### TECHNICAL SPECIFICATIONS

CAPACITY CLASS	0.750t (7.35kNms)
MAXIMUM LIFT CAPACITY	700KG @ 1.12M REACHES
STANDARD OUTREACH	1.45M
WITH ADDITIONAL DOOM	2.00M
LIFTING HEIGHT ABOVE BASE STANDARD	2.90M
-WITH ADDITIONAL DOOM	3.60M
OUTREACH/LIFTING CAPACITY	1.10M - 200KG 1.10M - 650KG 1.60M - 450KG 1.65M - 300KG 2.20M - 340KG 2.50M - 300KG 2.90M - 270KG
SLIPPING TORQUE	1.0kNm
SLIPPING ANGLE	30°
PUMP CAPACITY	4.0 > L/G/MIN
OIL TANK VOLUME	3.0 L
WORKING PRESSURE	1700 PSI (120 BARS)
POWER CONSUMPTION 12VOLT	50 > 150AMP
- 24VOLT	50 > 90AMP
HAZARD - SRC/POSSIBLE PACK & GIL	
'M' - MODEL	130KG
'S' - MODEL	140KG
'S' - MODEL	152KG
HEIGHT MANUAL STABILIZER LEO D/T	20KG
MOTOR MOUNT & STORAGE MOUNT	44KG
SPRING UP HYDRAULIC STABILIZER LEO	
HEIGHT FOLDED	1100mm



THE CAPACITY OF THIS CRANE IS LIMITED BY HYDRAULIC DEVICES.

DESIGNED AND MANUFACTURED BY  
A.S. 1985 - 1990

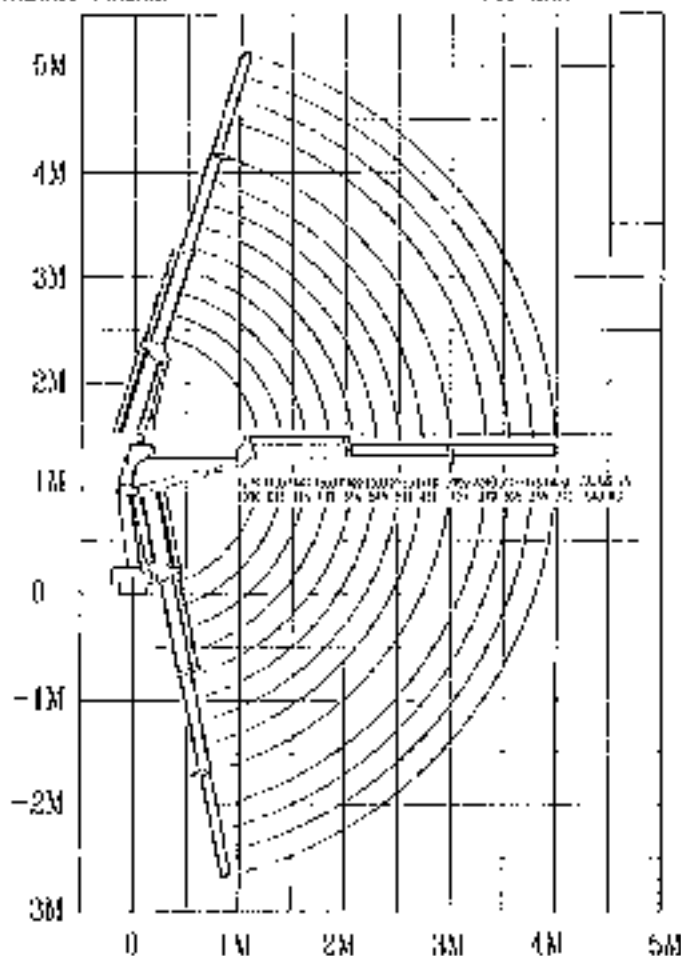
# WARGENT'S 1000 SERIES

(PAGE 18)

## HYDRAULIC CRANES

## TECHNICAL SPECIFICATIONS

CAPACITY CLASS	1.25T (12,500kg)
MAXIMUM LIFT CAPACITY	1050KG @ 1.2M REACH
STANDARD REACH	2.0M
REEL ADDITIONAL BOOM	4.0M
LIFTING HEIGHT ABOVE BASE STANDARD	4.0M
WITH ADDITIONAL BOOM	5.0M
REACH/LIFTING CAPACITY	1.2M - 100KG
	1.6M - 70KG
	2.1M - 50KG
	2.5M - 50KG
	3.0M - 40KG
	3.6M - 35KG
	4.0M - 30KG
	1.75M -
SWINGING TORQUE	1.75KNM
SWINGING ANGLE	330°
PUMP CAPACITY	4.0 > 7.0L/MIN
OIL FLOW 104-102	3.1 L
WORKING PRESSURE	2500 PSI (106 BAR)
POWER CONSUMPTION 12VOLT	30 > 190AMP
	50 > 116AMP
HEIGHT - IN / POWER PACK & OIL	
M - MODEL	151KG
P - MODEL	167KG
S - MODEL	175KG
WEIGHT - MANUAL STABILIZER L&U C/N	
MOTOR MOUNT & STORAGE MOUNT	18KG
SPINE UP HYDRAULIC STABILIZER L&U	~43KG
HEIGHT FOLDED	1200mm



THE CAPACITY OF THIS  
CRANE IS LIMITED BY  
HYDRAULIC DEVICES.

DESIGNED AND  
MANUFACTURED TO  
AS 1410.6 - 1995

# WIRCO

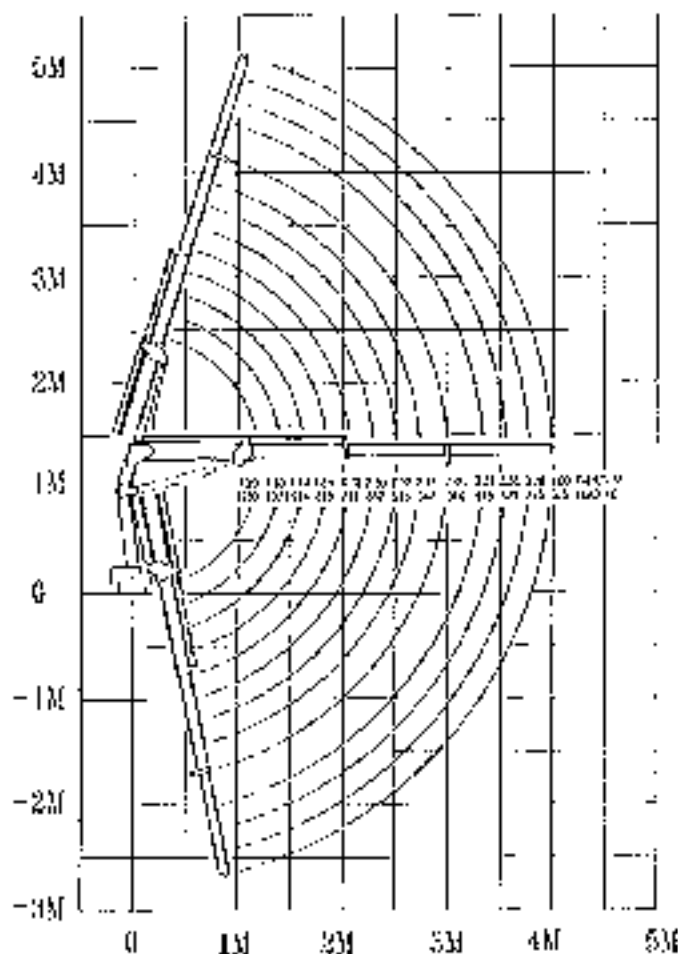
1500 SERIES

(PAGE 19)

## HYDRAULIC CRANES

## TECHNICAL SPECIFICATIONS

CAPACITY CLASS	1.50T (15,000kg)
MAXIMUM LIFT CAPACITY	1250KG @ 1.2M RADIUS
STANDARD OUTREACH	4.00M
- WITH ADDITIONAL DOOR	4.00M
LIFTING HEIGHT ABOVE BASE STANDARD	4.10M
- WITH ADDITIONAL IRON	6.30M
OUTREACH/LIFTING CAPACITY	1.20M- 1250KG
	1.60M- 814KG
	2.10M- 714KG
	2.60M- 605KG
	3.10M- 500KG
	3.60M- 421KG
	4.10M- 375KG
SWINGING TORQUE	2.24KNM
SWINGING ANGLE	330°
PUMP CAPACITY	4.8 > Y DL/MIN
OIL TANK VOLUME	3.0 L
WORKING PRESSURE	3200 PSI (220 BARS)
POWDER CONSUMPTION 22VOLT	50 > 240AMP
24VOLT	50 > 160AMP
WEIGHT - INC/TOWER PACK & OIL	
1" - MODEL	160KG
1" - MODEL	174KG
1" - MODEL	163KG
HEIGHT MANUAL STABILIZER LEG C/W	
MOTOR MOUNT & STORAGE MOUNT	16KG
SWING UP HYDRAULIC STABILIZER LEG	~13KG
HEIGHT FOLDED	1395mm

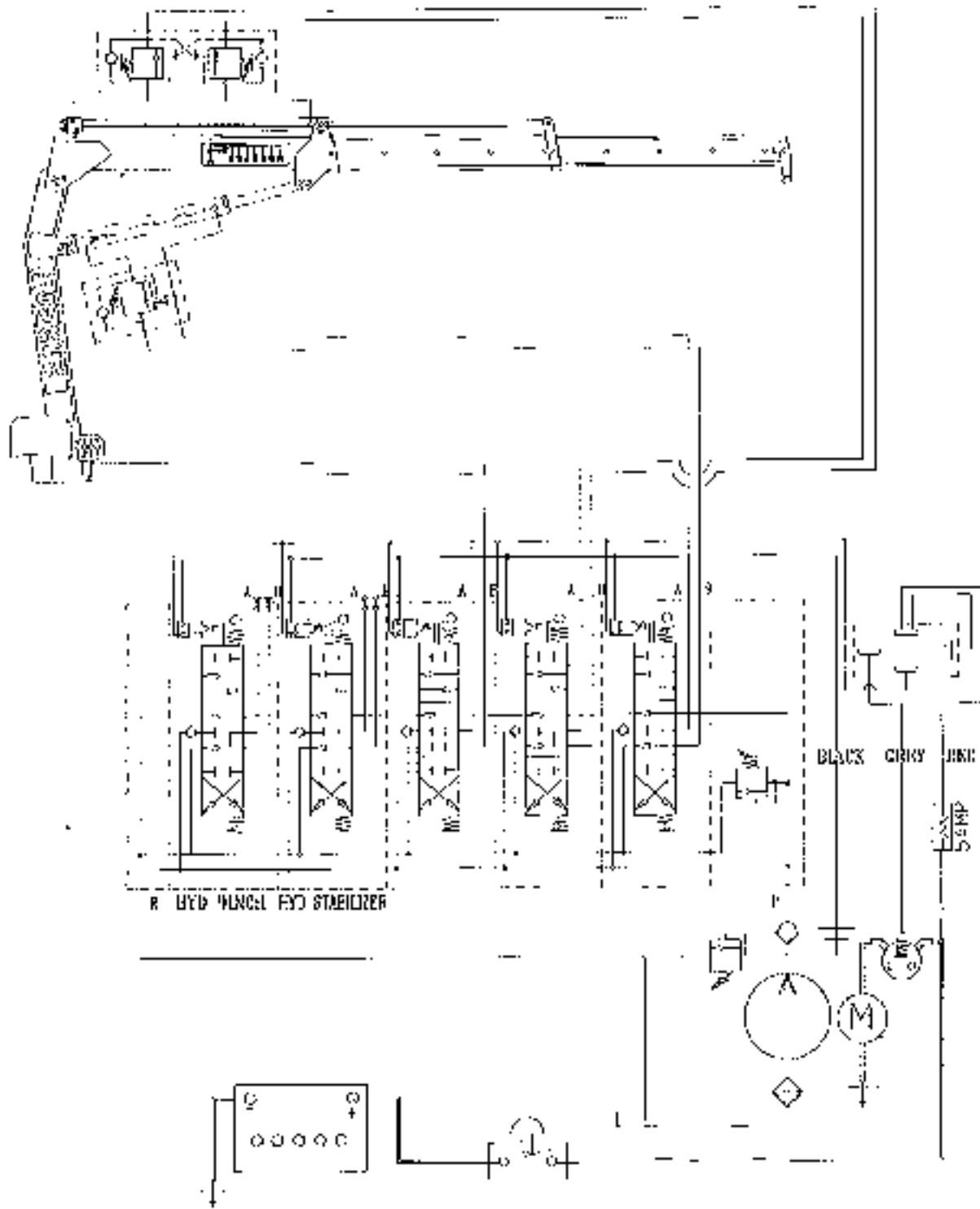


THE CAPACITY OF THIS CRANE IS LIMITED BY HYDRAULIC DRIVES.

DESIGNED AND MANUFACTURED TO  
AS 1418.5 - 1995

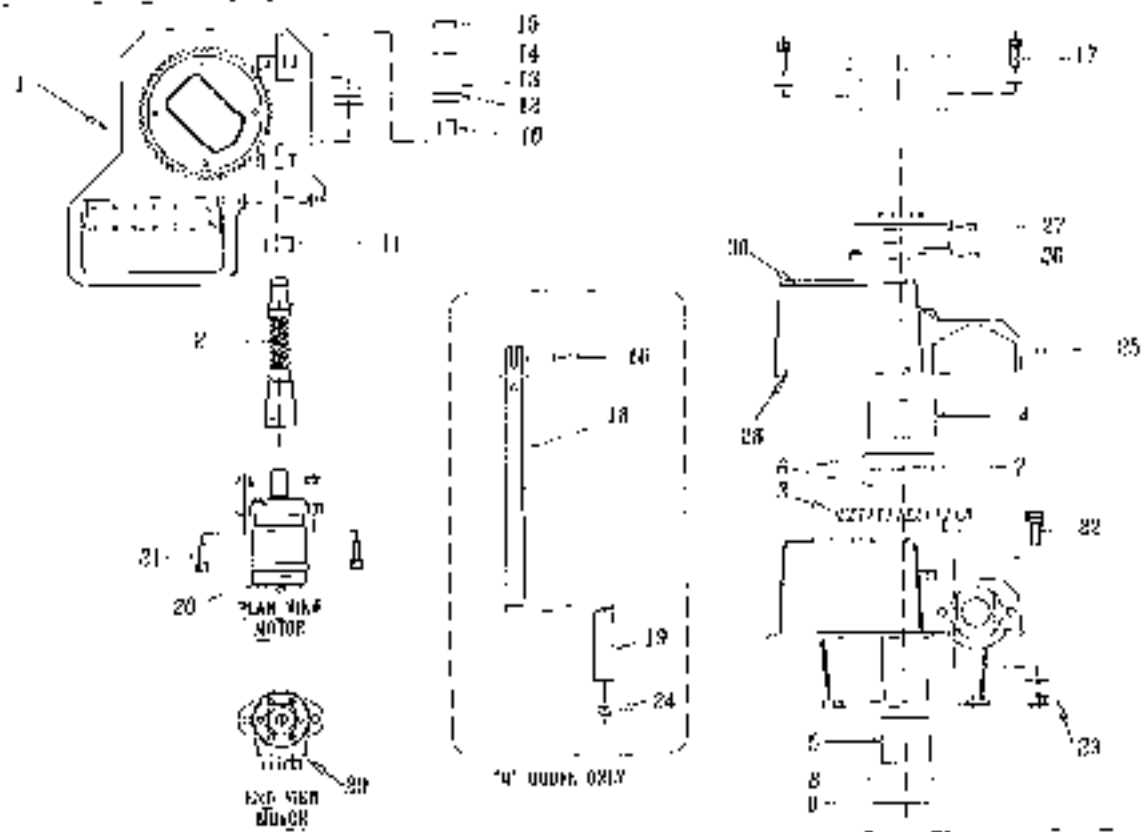
# HYDRAULIC CRANES

## ELECTRIC AND HYDRAULIC SCHEMATIC ALL MODELS



# HYDRAULIC CRANES

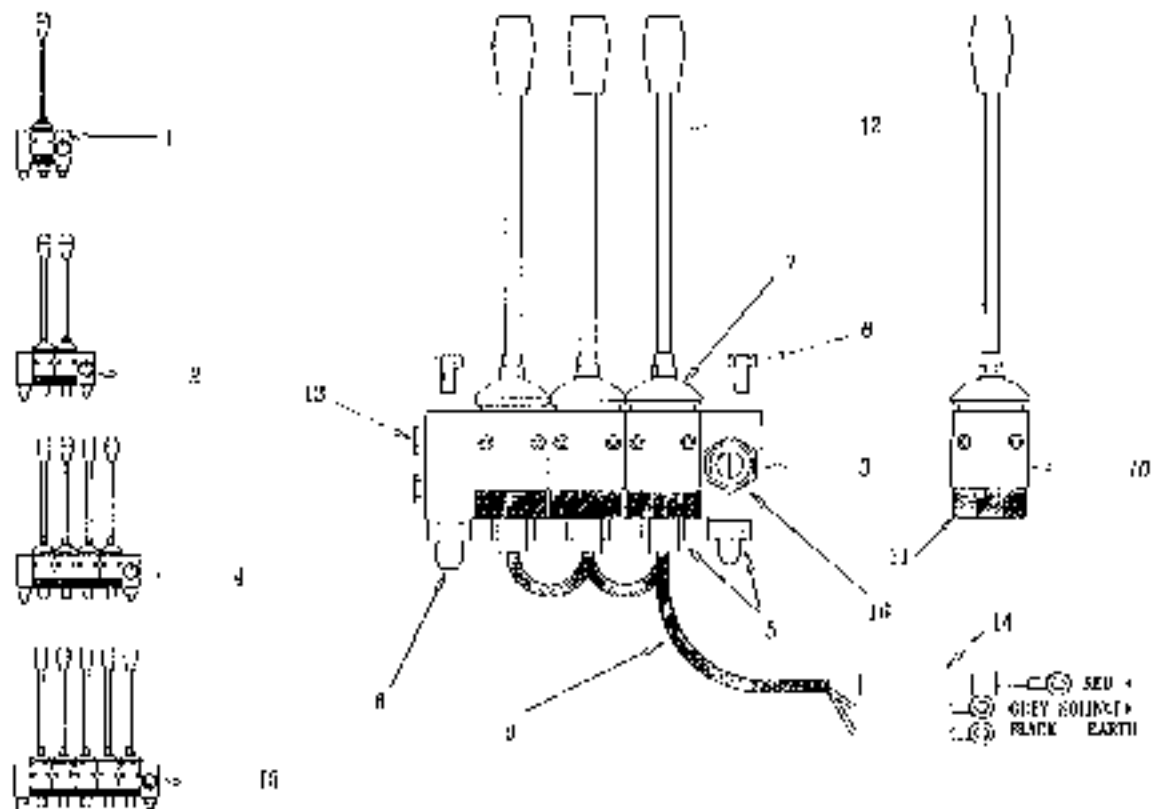
# SLEW BASE ALL MODELS



ITEM No.	DESCRIPTION	QTY	NOTES	ORDER PART No
1	SLEW BASE HOUSING	1		1000/1/1
2	WORM GEAR	1		1000/1/2
3	PLATE GEAR	1		1000/1/3
4	BEARING	1		1000/1/4
5	BEARING	1		1000/1/5
6	THRUST WASHER	1		1000/1/6
7	THRUST BEARING	1		1000/1/7
8	CIRCU P. WASHER	1		1000/1/8
9	SCREW	1		1000/1/9
10	BEARING	1		1000/1/10
11	BEARING	1		1000/1/11
12	THRUST BEARING	2		1000/1/12
13	THRUST WASHER	1		1000/1/13
14	NUT RETAINING WASHER	1		1000/1/14
15	NUT	1		1000/1/15
16	DRIVE PIN	1		1000/1/16
17	PLATE GEAR RETAINING BOLTS AND SPRING WASHER	4		1000/1/17
18	CRANK HANDLE	1		1000/1/18
19	HYDRAULIC MOTOR	1		1000/1/19
20	HYDRAULIC MOTOR	1		1000/1/20
21	MOTOR RETAINING BOLTS AND NUTS	8		1000/1/21
22	SEAL STOP BUSH	1		1000/1/22
23	SEAL STOP BUSH	1		1000/1/23
24	RETAINING NUT	1		1000/1/24
25	PLASTIC CONSOLE COVER	1		1000/1/25
26	PLASTIC BALANCE RING	1		1000/1/26
27	CLAMP	1		1000/1/27
28	CRANK RETAINING BOLTS	3		1000/1/28
29	HYDRAULIC SEIZURE ADAPTER	2		1000/1/29
30	CONTROL VALVE ADAPTER	1		1000/1/30

# HYDRAULIC CRANES

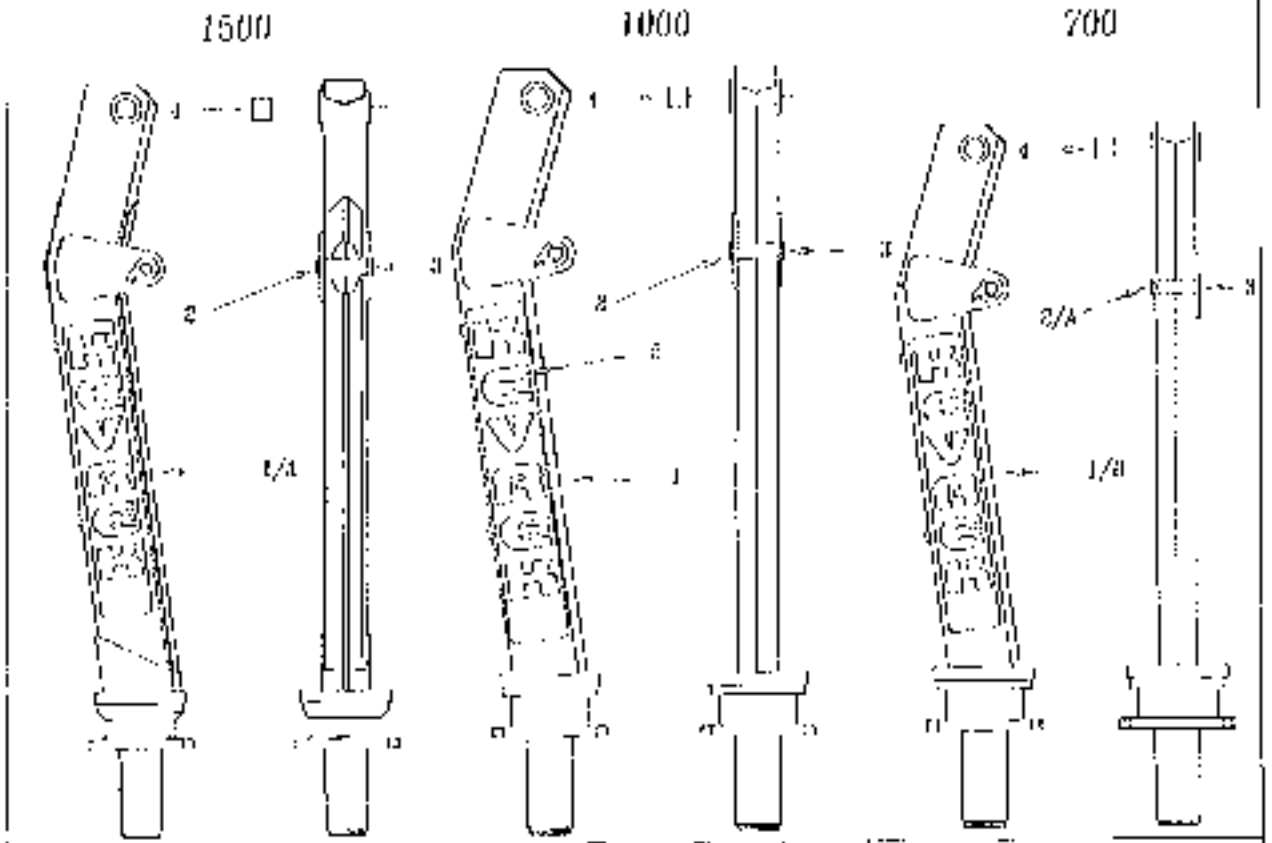
# HYDRAULIC CONTROL VALVE ALL MODELS



ITEM No.	DESCRIPTION	QTY	NOTES	ORDER PART No
1	SINGLE BANK VALVE COMPLETE	1		1000/2/1
2	DOUBLE BANK VALVE COMPLETE	1		1000/2/2
3	TRIPLE BANK VALVE COMPLETE	1		1000/2/3
4	QUAD BANK VALVE COMPLETE	1		1000/2/4
5	SMALL HYDRAULIC NIPPLE ADAPTOR	2		1000/2/5
6	LARGE HYDRAULIC NIPPLE ADAPTOR	1		1000/2/6
7	RELEASE BOLT	3		1000/2/7
8	MINUTING BOLT & WASHER	4		1000/2/8
9	ELECTRICAL ADDRESS ALL ADDRESS	1		1000/2/9
10	SINGLE BANK SECTION	1		1000/2/10
11	MICRO SWITCH	3		1000/2/11
12	HANDLE	3		1000/2/12
13/A	BOLT KIT 3 FUNCTION	1		1000/2/13/A
13/B	BOLT KIT 4 FUNCTION	1		1000/2/13/B
13/C	BOLT KIT 5 FUNCTION	1		1000/2/13/C
14	ELECTRICAL FUSE	1	SAMP	1000/2/14
15	FIVE BANK VALVE COMPLETE	1		1000/2/15
18	RELEASE CARTRIDGE	1		1000/2/18

1. 0 1. 0 2. 0 3. 0 4. 0 5. 0 6. 0 7. 0 8. 0 9. 0 10. 0 11. 0 12. 0 13. 0 14. 0 15. 0 16. 0 17. 0 18. 0 19. 0 20. 0 21. 0 22. 0 23. 0 24. 0 25. 0 26. 0 27. 0 28. 0 29. 0 30. 0 31. 0 32. 0 33. 0 34. 0 35. 0 36. 0 37. 0 38. 0 39. 0 40. 0 41. 0 42. 0 43. 0 44. 0 45. 0 46. 0 47. 0 48. 0 49. 0 50. 0 51. 0 52. 0 53. 0 54. 0 55. 0 56. 0 57. 0 58. 0 59. 0 60. 0 61. 0 62. 0 63. 0 64. 0 65. 0 66. 0 67. 0 68. 0 69. 0 70. 0 71. 0 72. 0 73. 0 74. 0 75. 0 76. 0 77. 0 78. 0 79. 0 80. 0 81. 0 82. 0 83. 0 84. 0 85. 0 86. 0 87. 0 88. 0 89. 0 90. 0 91. 0 92. 0 93. 0 94. 0 95. 0 96. 0 97. 0 98. 0 99. 0 100. 0

# ENGINEERING MAIN POST HYDRAULIC CRANES ALL MODELS

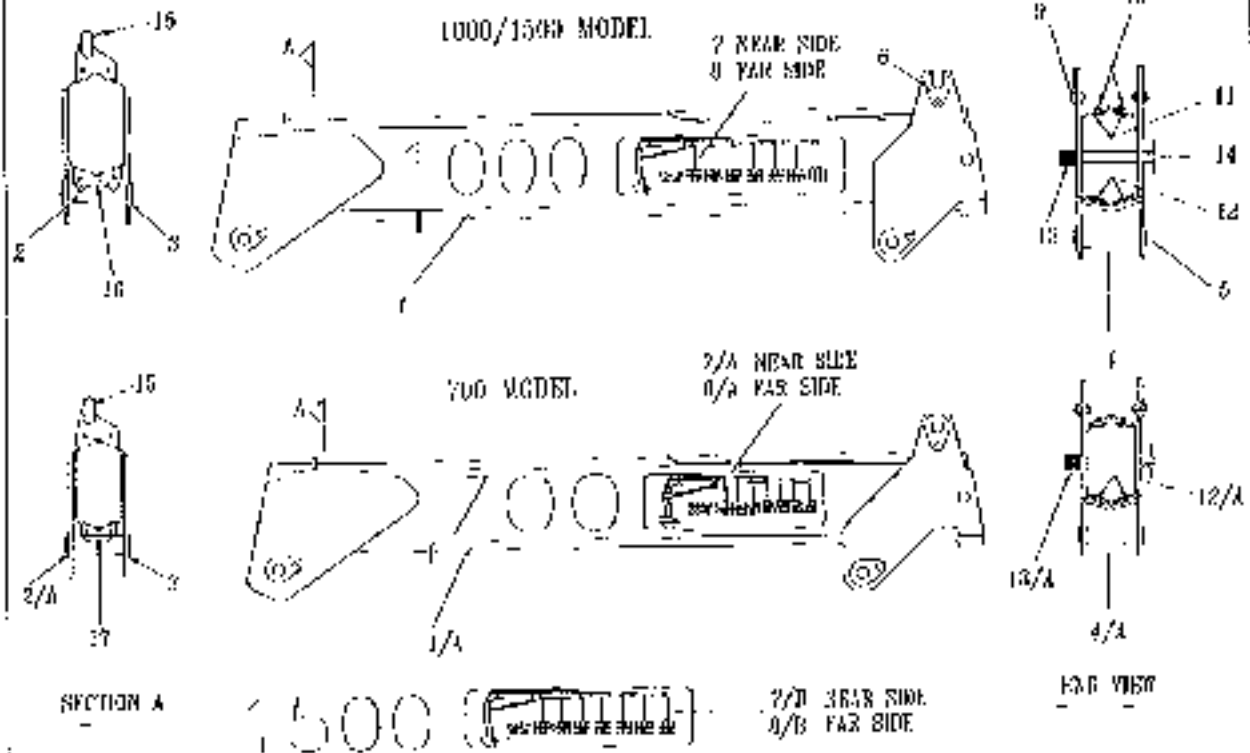


ITEM No.	DESCRIPTION	QTY	NOTES	ORDER PART No
1	5000 BUSH WELDMENT	1		1000/3/1
2	1500 POST WELDMENT	1		1500/3/1
3	700 POST WELDMENT	1		700/3/1
4	CYLINDER PIVOT PIN	1		1000/3/2
5	CYLINDER PIVOT PIN	1		700/3/2
6	CHUCKER (ALL MODELS)	1		1000/3/3
7	PIVOT PIN BUSH (ALL MODELS)	1		1000/3/4
8	ENGINE DECAL (1515, 1000)	1		1000/3/5

# HYDRAULIC CRANES

# MAIN BOOMS ALL MODELS

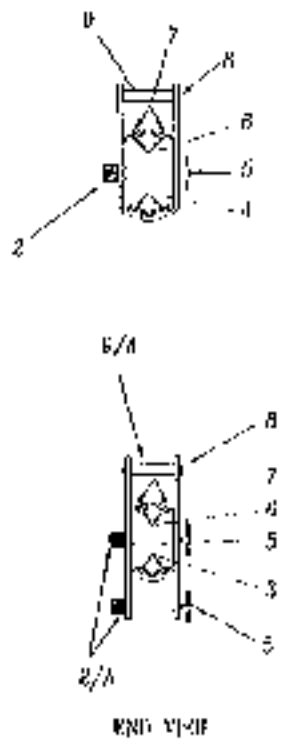
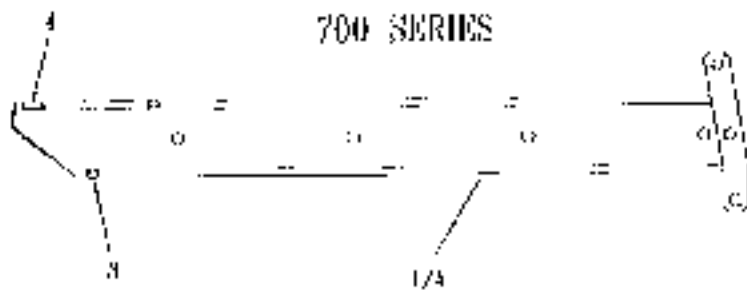
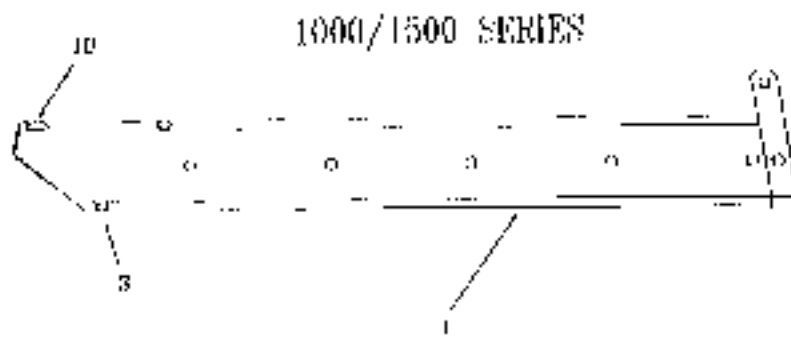
(PAGE 24)



ITEM No	DESCRIPTION	QTY	NOTES	ORDER PART No
1	1000/1500 MAIN BOOM WELDMENT			1000/4/1
1/A	700 MAIN BOOM WELDMENT			700/4/1
2	1000/1500 30MM DIA PIVOT PIN			1000/4/2
2/A	700 30MM DIA PIVOT PIN			700/4/2
3	CIRCLIP (ALL MODELS)			1000/4/3
4	1000/1500 25MM DIA PIVOT PLX			1000/4/4
4/A	700 25MM PIVOT PLX			700/4/4
5	CIRCLIP (ALL MODELS)			1000/4/5
6	FRANKER KEEPER PLATE			1000/4/6
7	1000 LOAD CHART NEAR SIDE			1000/4/7
7/A	700 LOAD CHART NEAR SIDE			700/4/7
7/B	1000 LOAD CHART NEAR SIDE			1000/4/7
8	1000 LOAD CHART FAR SIDE			1000/4/8
8/A	700 LOAD CHART FAR SIDE			700/4/8
8/B	1000 LOAD CHART FAR SIDE			1000/4/8
9	ROST AND RUT	2		1000/4/9
10	BOOM STOP LUG RETAINING HOLY (ALL MODELS)	2		1000/4/10
11	BOOM STOP LUG (ALL MODELS)	2		1000/4/11
12	1000/1500 NYLON REAR BOTTOM LARG	2		1000/4/12
12/A	700 NYLON WEAR BUTTNY MEDIUM	2		700/4/12
12/B	1000/1500 FRONT LOCKING PIN (M E MODELS ONLY)	2		1000/4/12
13/A	700 BOOM LOCKING PIN (M E MODELS ONLY)	1		700/4/13
14	BOOM LOCKING PIN RETAINING CLIP (M E MODELS)	1		1000/4/14
15	700/1000/1500 EXTENSION CYLINDER BUFFER	1		1000/4/15
16	1000/1500 LIFT CYLINDER BUFFER	1		1000/4/16
17	700 LIFT CYLINDER BUFFER	1		700/4/17



# INVENTORY SECOND BOOM HYDRAULIC CRANES ALL MODELS

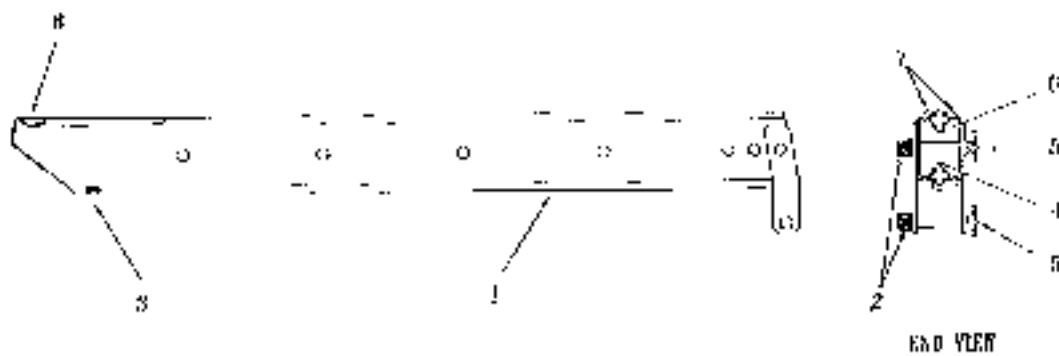


ITEM No.	DESCRIPTION	QTY	NOTES	ORDER PART No
1	1000/1500 SECOND BOOM ASSEMBLY	1		1000/S/1
1/A	700 SECOND BOOM ASSEMBLY	1		700/S/1/A
2	1000/1500 BOOM LOCKING PIN	1		1000/S/2
2/A	700 BOOM LOCKING PIN	1		700/S/2/A
3	NYLON WEAR BUTTON SMALL	1		1000/S/3
4	NYLON WEAR BUTTON MEDIUM	1		1000/S/4
5	BOOM LOCKING PIN RETAINING CLIP	1		1000/S/5
6	BOOM STOP LUGS	1		1000/S/6
7	BOOM STOP LUG RETAINING BOLTS	1		1000/S/7
8	CYLINDER RETAINING PIN CIRCULAR	1		1000/S/8
9	1000/1500 CYLINDER RETAINING PIN	1		1000/S/9
9/A	700 CYLINDER RETAINING PIN	1		700/S/9/A
10	NYLON WEAR BUTTON LARGE	1		1000/S/10

1000/1500 SERIES  
HYDRAULIC CRANES

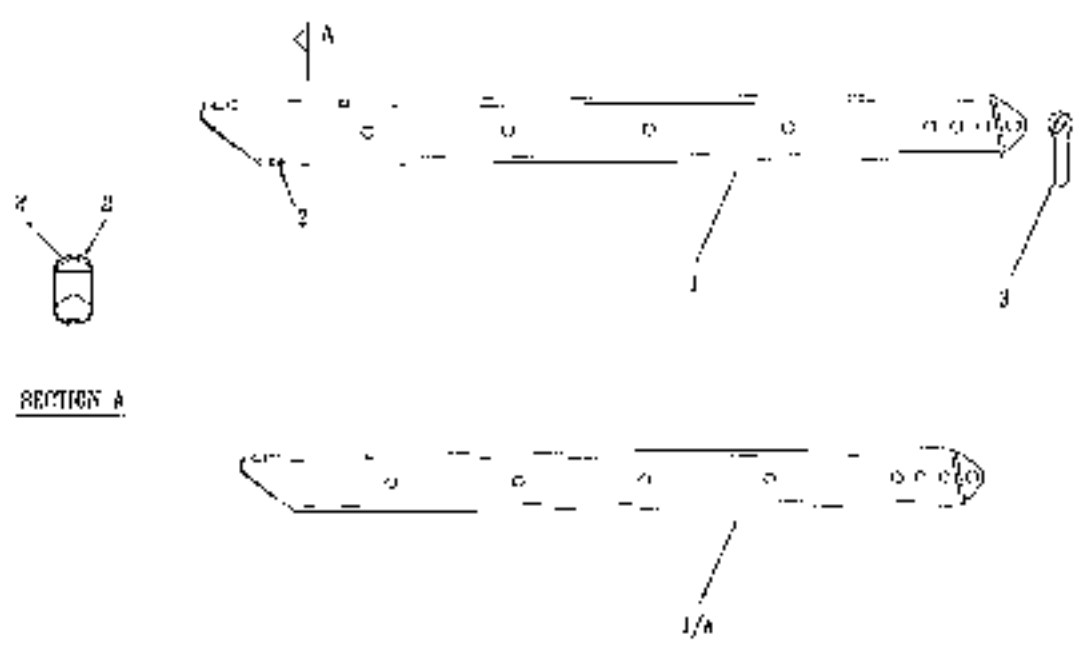
THIRD ROOM  
1000/1500 SERIES

(PAGE 26)



ITEM No.	DESCRIPTION	QTY	NOTES	ORDER PART No
1	1000/1500 BODY WALEREST (SPECIFY ON ORDER)	1		1000/6/1
2	BOOM LOCKING PIN	2		1000/6/2
3	NYLON WEAR BUTTON SMALL	2		1000/6/3
4	NYLON WEAR BUTTON MEDIUM	4		1000/6/4
5	BOOM LOCKING PIN RESTRAINING CLIP	2		1000/6/5
6	BOOM STOP LINES	2		1000/6/6
7	BOOM STOP LINE RETAINING BOLTS	2		1000/6/7
8	NYLON WEAR BUTTON MEDIUM	2		1000/6/8

# OPTIONAL PIN ROOM HYDRAULIC CRANES ALL MODELS

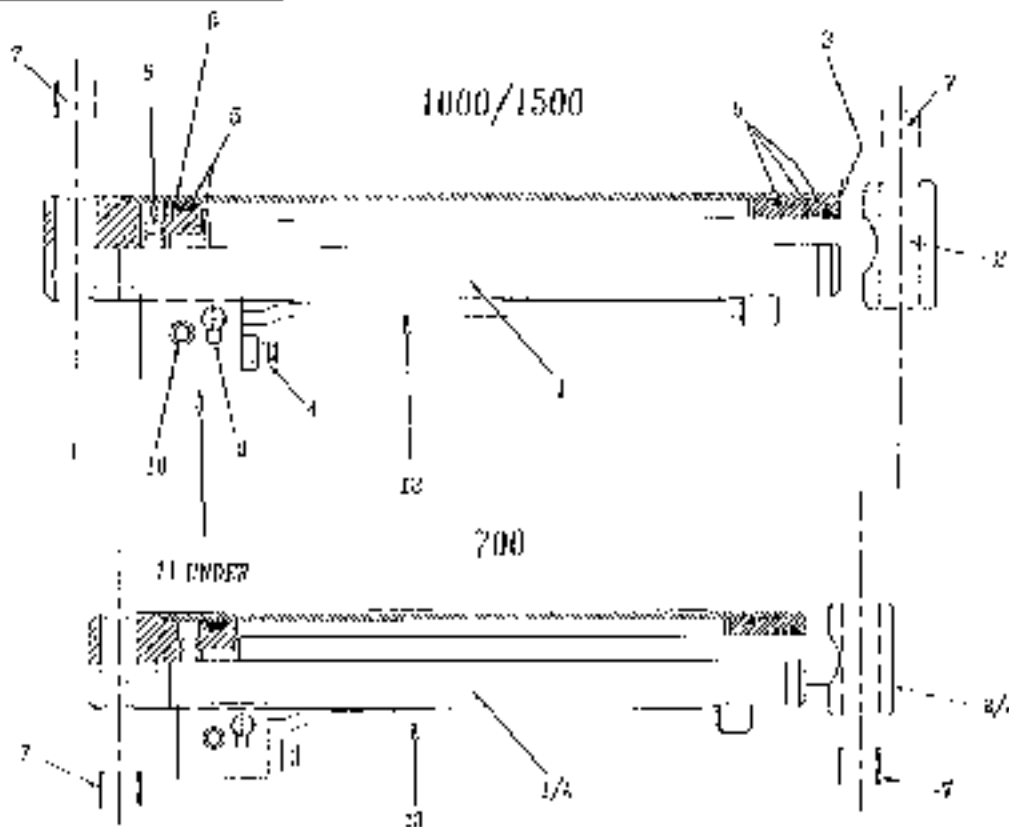


ITEM No.	DESCRIPTION	QTY	NOTES	ORDER PART No
1	1000/1500 FOURTH BOOM WELDMENT	1		1000/7/1
1/A	700 OPTIONAL BOOM WELDMENT	1		700/7/1
2	NYLON WEAR BUTTON SMALL	1		1000/7/2
3	1/2" SHACKLE	1		1000/7/3

This drawing is the property of the manufacturer and is not to be used for any other purpose without the written consent of the manufacturer.

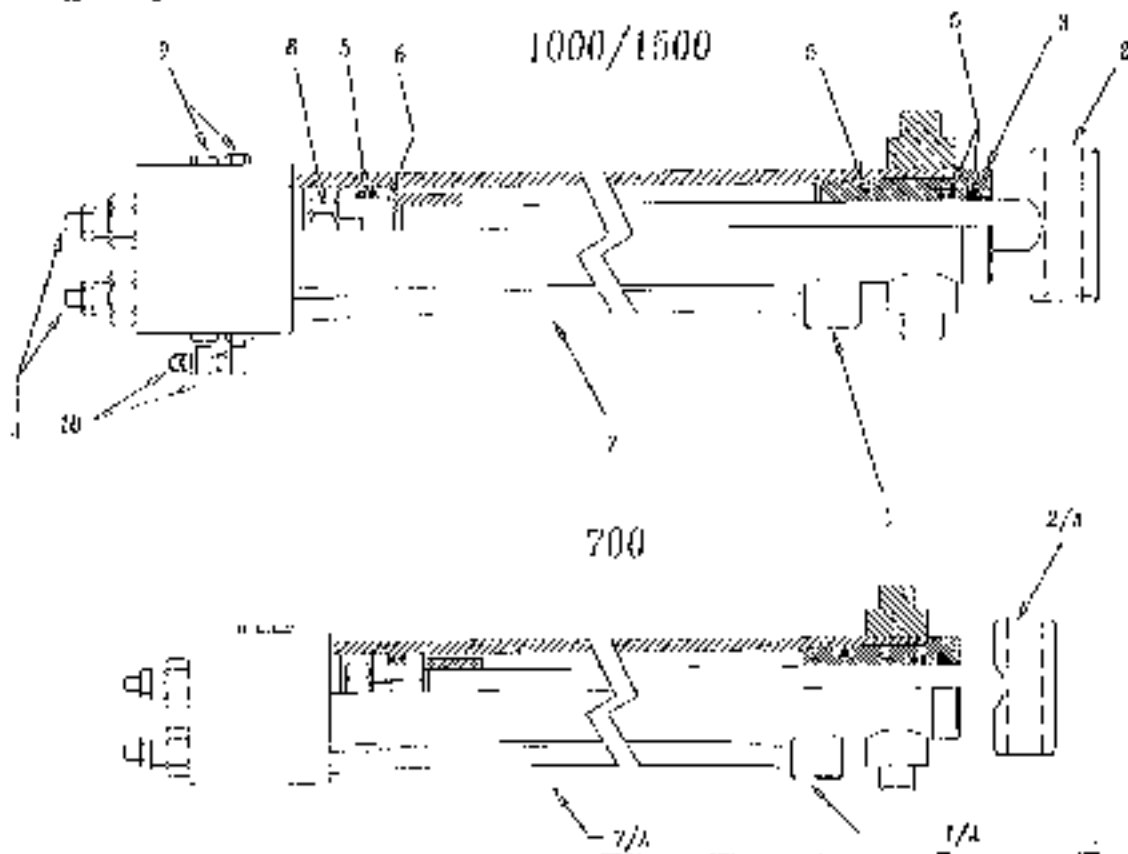
# HYDRAULIC CRANES

## MAIN LIFT CYLINDER ALL MODELS



ITEM No.	DESCRIPTION	QTY	NOTES	ORDER PART No
1	1000/1500 LIFT CYLINDER COMPLETE	1		1100/H/1
1/A	700 LIFT CYLINDER COMPLETE	1		700/H/1
2	1000/1500 CYLINDER ROE AND ROD EYE WELDMENT	1		1000/H/2
2/A	700 CYLINDER ROE AND ROD EYE WELDMENT	1		700/H/2
3	SCHN ON CYLINDER STAND (ALL MODELS)	1		1000/H/3
4	LOAD LOCKING CARTRIDGE VALVE (ALL MODELS)	1		1000/H/4
5	LIFT CYLINDER SEAL KIT (ALL MODELS)	5	PIECES	1000/H/5
6	PISTON LOCKING KIT (ALL MODELS)	1		1000/H/6
7	CYLINDER BUSH (ALL MODELS)	1		1000/H/7
8	PISTON (ALL MODELS)	1		1000/H/8
9	KLIEB ADAPTOR (ALL MODELS)	1		1100/H/9
10	STRAIGHT ADAPTOR (ALL MODELS)	1		1100/H/10
11	FLANG ADAPTOR (ALL MODELS)	2		1100/H/11
12	1000/1500 CYLINDER BODY WELDMENT	1		1100/H/12
13	700 CYLINDER BODY WELDMENT	1		700/H/13

# HYDRAULIC CRANES HYD-EXT CYLINDER ALL MODELS



ITEM No.	DESCRIPTION	QTY	NOTES	ORDER PART No
1	1000/1500 EXTENSION CYLINDER COMPLETE	1		1000/9/1
1/A	700 EXTENSION CYLINDER COMPLETE	1		700/9/1
2	1000/1500 CYLINDER ROD AND ROD EYE WELDMENT	1		1000/9/2
2/A	700 CYLINDER ROD AND ROD EYE WELDMENT	1		700/9/2
3	SCREW ON CYLINDER GLAND (ALL MODELS)	1		1000/9/3
4	LOAD LOCKING CARTRIDGE VALVE (ALL MODELS)	2		1000/9/4
5	CYLINDER SEAL KIT (ALL MODELS)	1	6 PIECES	1000/9/5
6	PISTON LOCKING KIT (ALL MODELS)	1		1000/9/6
7	1000/1500 CYLINDER BODY WELDMENT	1		1000/9/7
7/A	700 CYLINDER BODY WELDMENT	1		700/9/7
8	PISTON (ALL MODELS)	1		1000/9/8
9	HYDRAULIC PLATE ADAPTORS	2		1000/9/9
10	EXTENDED ELBOW FITTINGS	2		1000/9/10

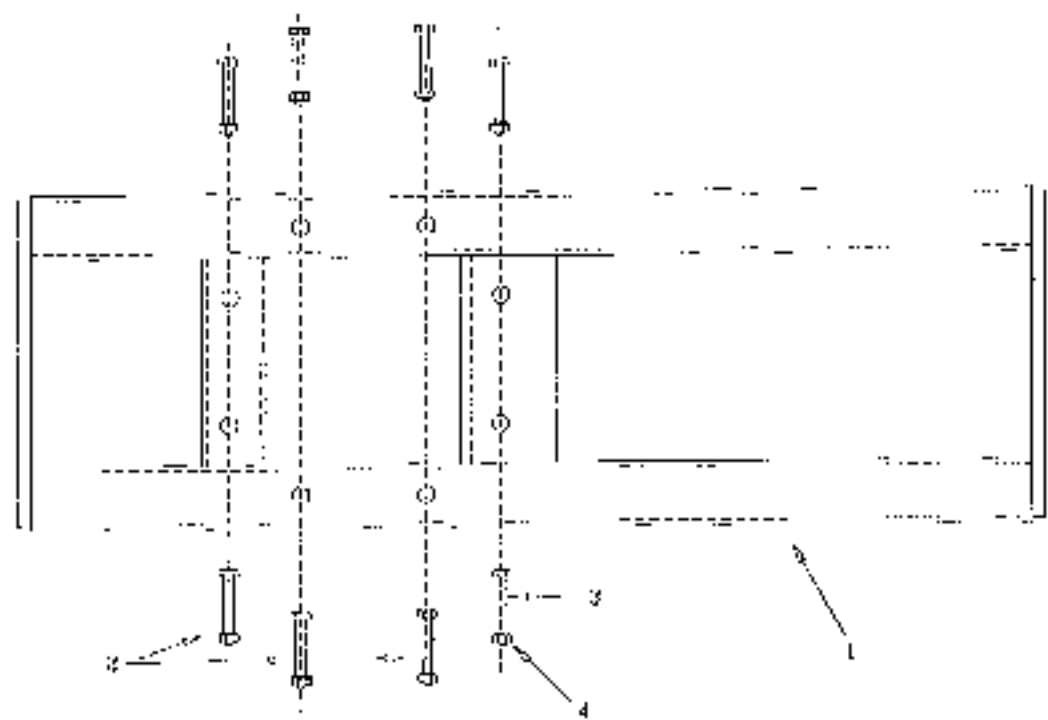








UNDER BODY MOUNTING FRAME  
 700/1000 SERIES

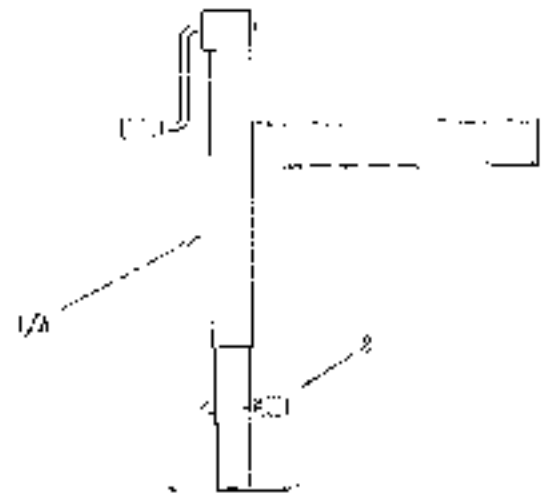
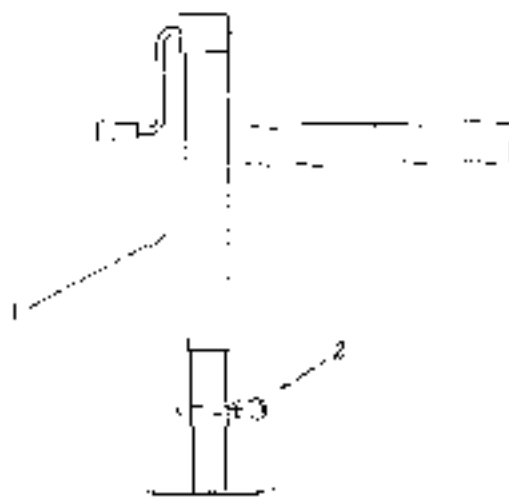


ITEM No.	DESCRIPTION	QTY	NOTES	ORDER PART No
1	700/1000 UNDER BODY MOUNTING FRAME	1		1000/12/1
2	M12 X 100MM FRAME HOLD DOWN BOLT	4		1000/12/2
3	M12 X 100MM FRAME HOLD DOWN BOLT	4		1000/12/3
4	NYLOC NUT	4		1000/12/4

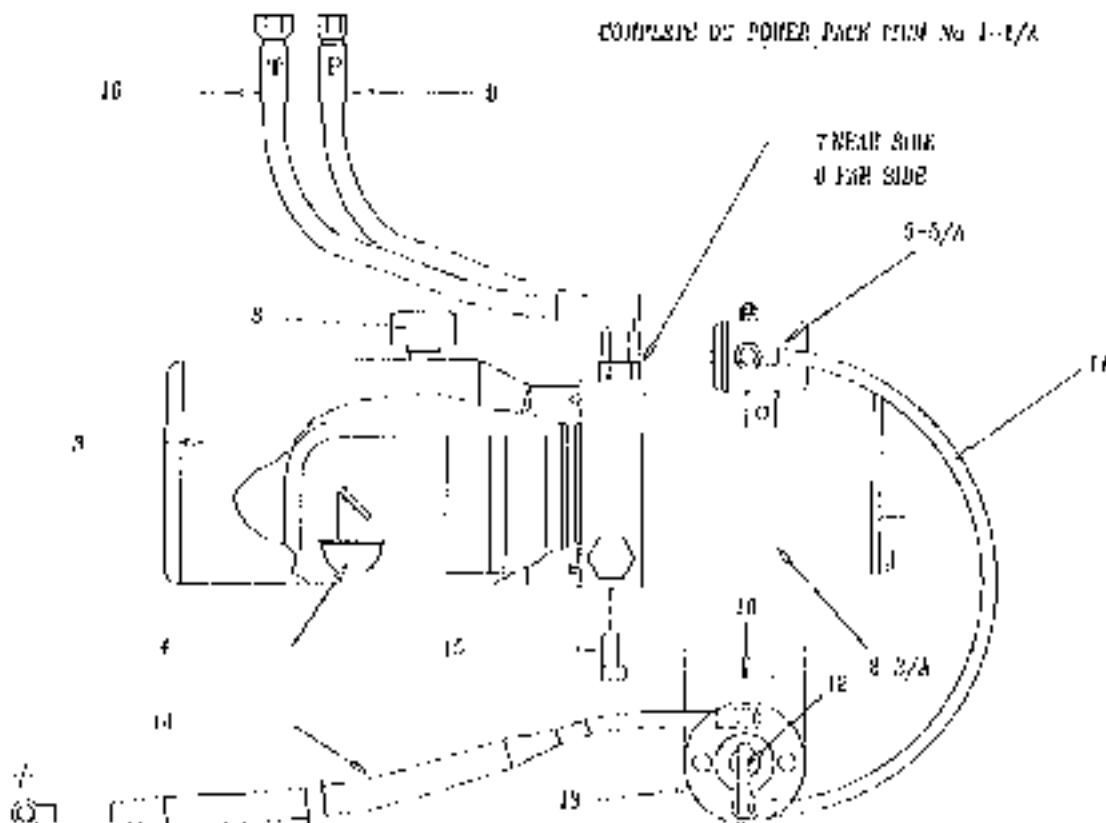


# USCIBORCO HYDRAULIC CRANES

## MANUAL STABILIZER LEG ALL MODELS



ITEM No.	DESCRIPTION	QTY	NOTES	ORDER PART No
1/A	700/1000 STABILIZER LEG COMPLETE			1030/14/1
2	1500 STABILIZER LEG COMPLETE			1500/14/1
	TRIP LEG RESTRAINT PIN			1000/14/2



ITEM No.	DESCRIPTION	QTY	NOTES	ORDER PART No.
1	12 VOLT POWER PACK COMPLETE			1000/15/1
1/A	24 VOLT POWER PACK COMPLETE	1		1000/15/1/A
2	12 VOLT ELECTRIC MOTOR	1		1000/15/2
2/A	24 VOLT ELECTRIC MOTOR	1		1000/15/2/A
3	HYDRAULIC OIL TANK	1		1000/15/3
4	SUNCTION FITTER	1		1000/15/4
5	12 VOLT STARTER SOLENOID	1		1000/15/5
5/A	24 VOLT STARTER SOLENOID	1		1000/15/5/A
6	TANK FILLER CAP	1		1000/15/6
7	HYDRAULIC STRAIGHT ADAPTOR	1		1000/15/7
8	HYDRAULIC STRAIGHT ADAPTOR	1		1000/15/8
8	HYDRAULIC PRESSURE HOSE	1		1000/15/9
10	HYDRAULIC TANK RETURN HOSE	1		1000/15/10
11	KEY TO STARTER ELECTRIC CABLE	1		1000/15/11
12	BATTERY ISOLATOR KEY	1		1000/15/12
12	BATTERY ISOLATOR SWITCH	1		1000/15/13
14	BATTERY TO KEY ELECTRIC CABLE	1		1000/15/14
15	MOTOR MOUNTING BOLTS	2		1000/15/15
16	ISOLATOR SWITCH BRACKET	1		1000/15/16

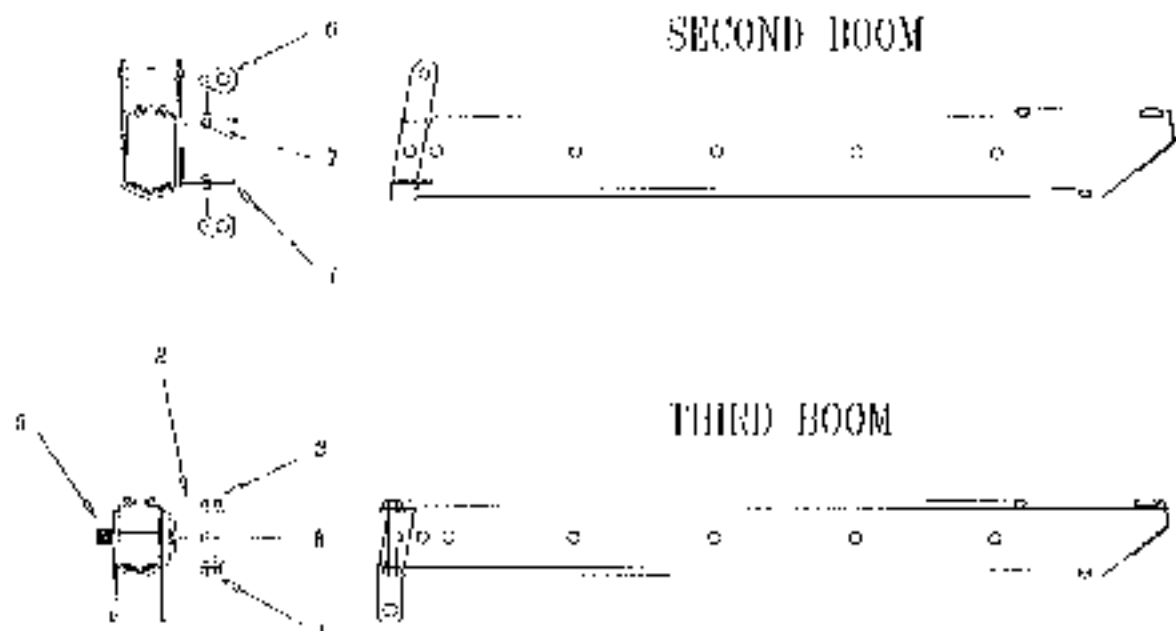






# HYDRAULIC CRANES 1000/1500 SERIES

DUAL HYD MOUNTINGS (PAGE 40)



END VIEW

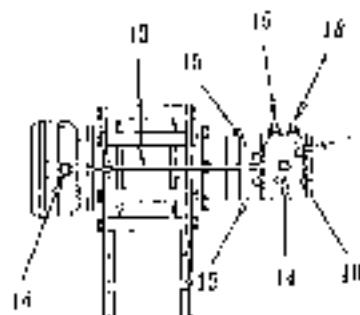
ITEM No.	DESCRIPTION	QTY	NOTES	ORDER PART No
1	CYLINDER TENSION MOUNT BRACKET	1		1000/13/1
2	CYLINDER ROD MOUNT BRACKET	1		1000/10/2
3	KEY-CYLINDER ROD END FIT	1		1000/10/3
4	NUT	1		1300/14/4
5	BOOM LOCKING PIN (DUAL HYD PIN END ONLY)	1		1300/14/5
6	CYLINDER RETAINING TREADOFF PLATE	2		1000/10/0
7	TREADOFF RETAINING BOLT & NUT	2		1000/18/7
8	BOOM LOCKING PIN HITTING CUT	1		1000/15/0



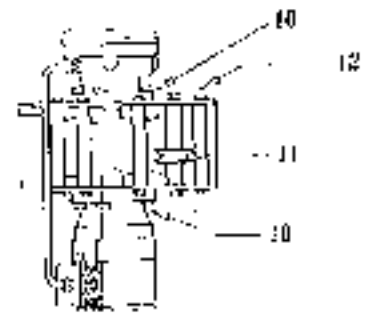
# HYDRAULIC WINCH (PAGE 41)

## HYDRAULIC CRANES ALL MODELS

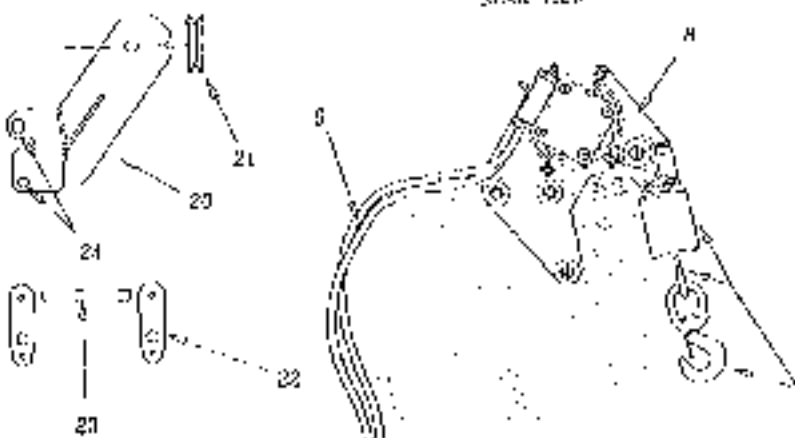
700	350 KG
1000	450 KG
1500	500 KG



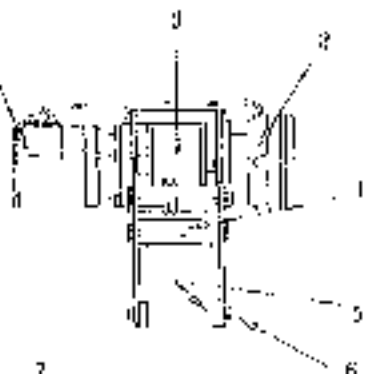
SPARE VIEW



TOP VIEW



SIDE VIEW



FRONT VIEW

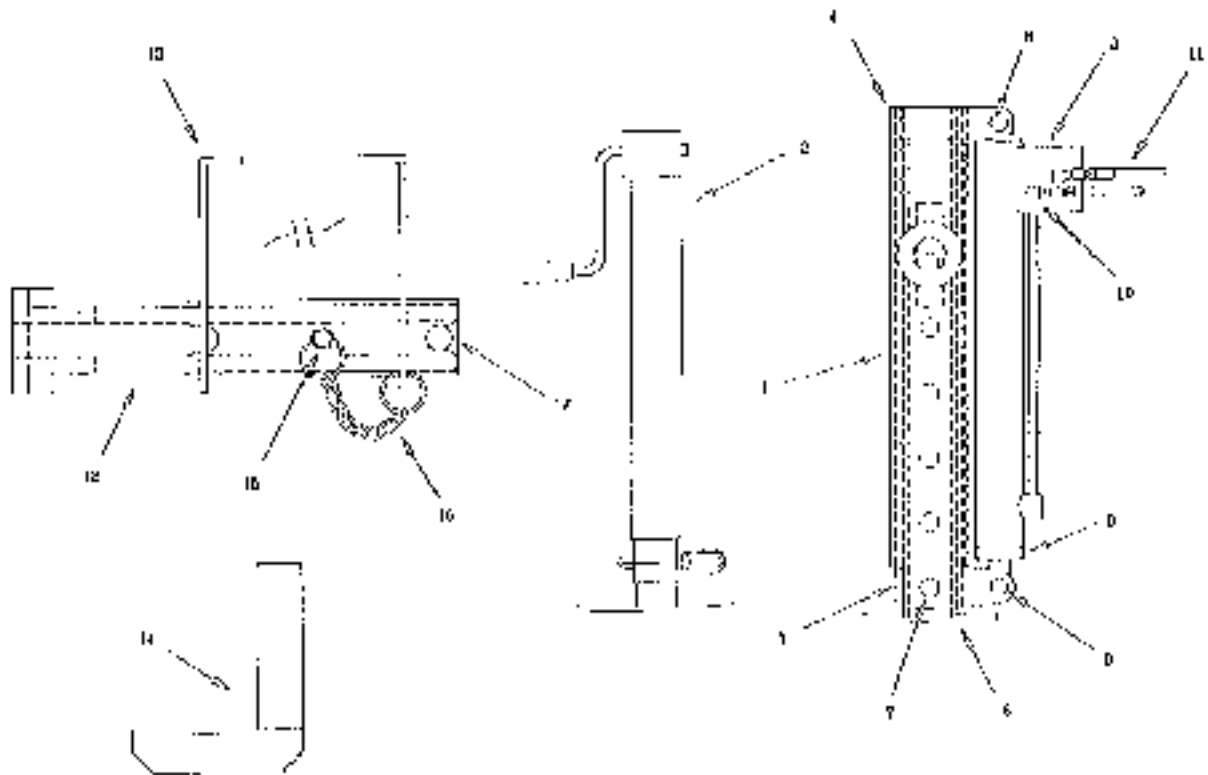
ITEM No.	DESCRIPTION	QTY	NOTES	ORDER PART No
1	HYDRAULIC DRIVE MOTOR	1		1000/20/1
2	HYDRO-MECHANICAL BRAKE	1		1000/20/2
3	ROPE DRUM	1		1000/20/3
4	SIDE PLATE JOINER BARS	12		1000/20/4
5	WELD ON MOUNTING BUSH	6		1000/20/5
6	SIDE PLATE MOUNTING BOLTS	1		1000/20/6
7	WINCH SCREW ASSEMBLY (INCL. WELDED BLOCK & BUSH)	1		1000/20/7
8	SIDE PLATES	2		1000/20/8
9	WINCH HOSE	4		1000/20/9
10	WINCH & BRAKE MOUNTING BOLTS	4		1000/20/10
11	ROPE GUIDANCE WHEEL	1		1000/20/11
12	SIDE PLATE JOINER BAR BOLTS	24		1000/20/12
13	BRAKE RELEASE ROSS	1		1000/20/13
14	ROPE & MOTOR JIB ADAPTOR	1		1000/20/14
15	HYD EMBOW ADAPTOR	1		1000/20/15
16	LOAD HOLDING VALVE BODY	1		1000/20/16
17	VALVE BODY MOUNTING BOLTS	1		1000/20/17
18	LOAD HOLDING CASSETTE	1		1000/20/18
19	BRAKE SHUTTLE CASSETTE	1		1000/20/19
20	ROPE SHEAVE COMPLETE	1		1000/20/20
21	LARGE SCREW CYLINDER WHEEL	1		1000/20/21
22	HOOK STORAGE (WARRANTY PLATE)	2		1000/20/22
23	TRIANGULAR JOINER BAR (WELDED BOLTS)	2		1000/20/23
24	SHEAVE LOCKING PIN	1		1000/20/24

# BEWORTH

## HYDRAULIC CRANES

### SWING UP EXTENDING HYDRAULIC AND MANUAL LEG ALL MODELS

PAGE 42



ITEM No.	DESCRIPTION	QTY	NOTES	ORDER PART No
1	HYDRAULIC LEG COMPLETE	1		1000/21/1
2	MANUAL STABILIZER LEG	1		1000/21/2
3	HYDRAULIC LEG CYLINDER	1		1000/21/3
4	OUTER LEG SECTION	1		1000/21/4
5	INNER LEG EXTENSION	1		1000/21/5
6	FOOT PLATE & EXTENSION TUBE ASSEMBLY	1		1000/21/6
7	EXTENSION LOCKING PIN	1		1000/21/7
8	LEG CYLINDER RETAINING HOLE & KEY	2		1000/21/8
9	CYLINDER SEAL KIT	2	6 Pieces	1000/21/9
10	HYDRAULIC FITTING	2		1000/21/10
11	HYDRAULIC LEG CYLINDER HOSE	2		1000/21/11
12	LEG EXTENSION BRAC	1		1000/21/12
13	LEG MOUNT FRAME	1		1000/21/13
14	POWER PACK MOUNT BRACKET	1		1000/21/14
15	EXTENSION TUBE LOCKING PIN	1		1000/21/15
16	PIV RETAINING CLASH	1		1000/21/16
17	EXTENSION STOP PIN WITH NE SELECTION	1		1000/21/17

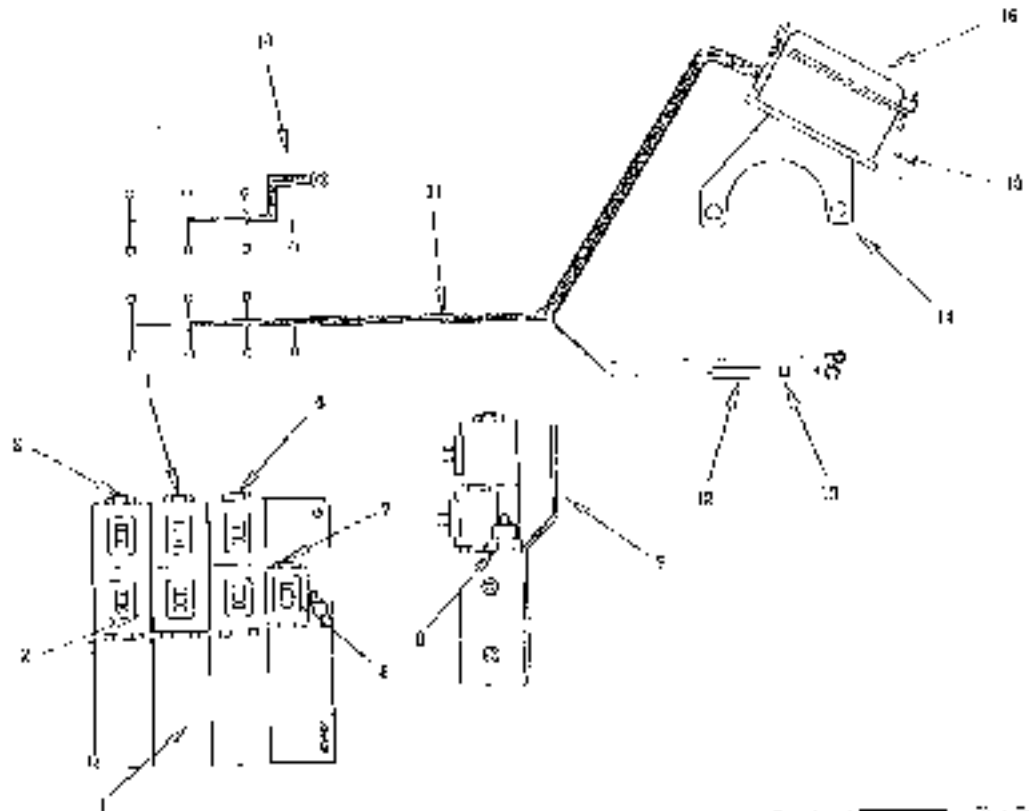
3 FUNCTION 2 SPEED

(PAGE 43)

ELECTRIC VALVE

HYDRAULIC CRANES

ALL MODELS



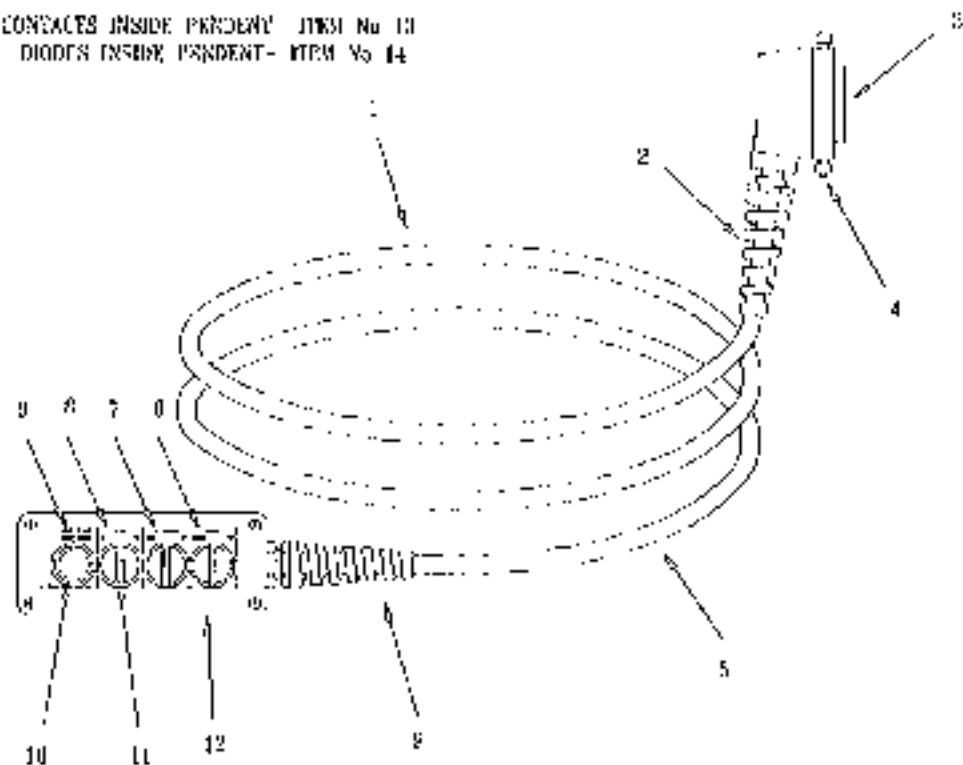
ITEM No.	DESCRIPTION	QTY	NOTES	ORDER PART No
1	3 FUNCTION 2 SPEED ELECTRIC HYDRAULIC MANIFOLD			1500/22/1
2	LARGE COIL (12 OR 24V SPECIFY ON ORDER)	6		1000/22/2
3	C SPOOL (HPC)			1000/22/3
4	D SPOOL (EXTENSION)			1000/22/4
5	C SPOOL (SLEW)			1000/22/5
6	SMALL COIL (12 OR 24V SPECIFY ON ORDER)			1000/22/6
7	FAST SPEED CARTRIDGE			1000/22/7
8	SLOW SPEED CARTRIDGE			1000/22/8
9	VALVE MOUNTING PLATE			1000/22/9
10	FAIRM WIRING HARNESS			1000/22/10
11	COIL WIRING HARNESS			1000/22/11
12	BARREL TYPE VISE HOLDER			1000/22/12
13	15 AMP - SAC FUSE			1000/22/13
14	PLUG MOUNTING PLATE			1000/22/14
15	10 PER PLUG BASE			1000/22/15
16	10 PIN PLUG INSERT			1000/22/16

# ICEWORTHY HYDRAULIC CRANES

## 3 FUNCTION 2 SPEED ELECTRIC PENDENT ALL MODELS

PAGE 44

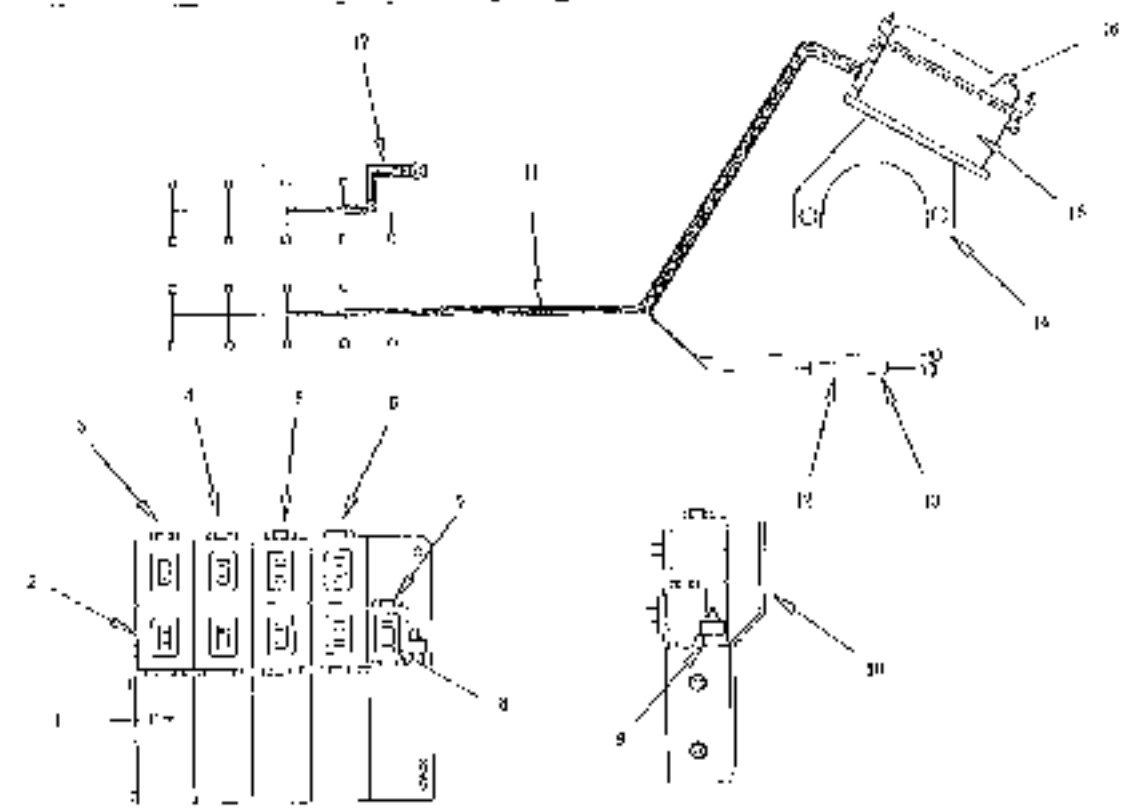
NOTE: CONTACTS INSIDE PENDENT- ITEM No 13  
DIODES INSIDE PENDENT- ITEM No 14



ITEM No.	DESCRIPTION	QTY	NOTES	ORDER PART No
1	COMPLETE 3 FUNCTION 2 SPEED REMOTE CONTROL	1		1000/23/1
2	CABLE STRAINER C/W KEY	2		1000/23/2
3	13 MM ZINC INSERT	1		1000/23/3
4	13 MM HOOD	1		1000/23/4
5	12 CORE CABLE	1	6 METERS	1000/23/5
6	LEGEND PLATE BROW UP/DOWN	1		1000/23/6
7	LEGEND PLATE EXTENSION IN/OUT	1		1000/23/7
8	LEGEND PLATE BLEW LEFT/RIGHT	1		1000/23/8
9	LEGEND PLATE FAST SPEED-HOLD TONK	1		1000/23/9
10	FAST SPEED FUSE BUTTON	1		1000/23/10
11	SELECTOR SWITCH	2		1000/23/11
12	4 WIRE ENCLOSURE-EMPTY	1		1000/23/12
13	CONTACT BLOCK-NORMALLY OPEN	7		1000/23/13
14	SOLDERED DIODE SET	1		1000/23/14

# KEW-BORCH

FUNCTION 2 SPEED  
ELECTRIC VALVE  
ALL MODELS

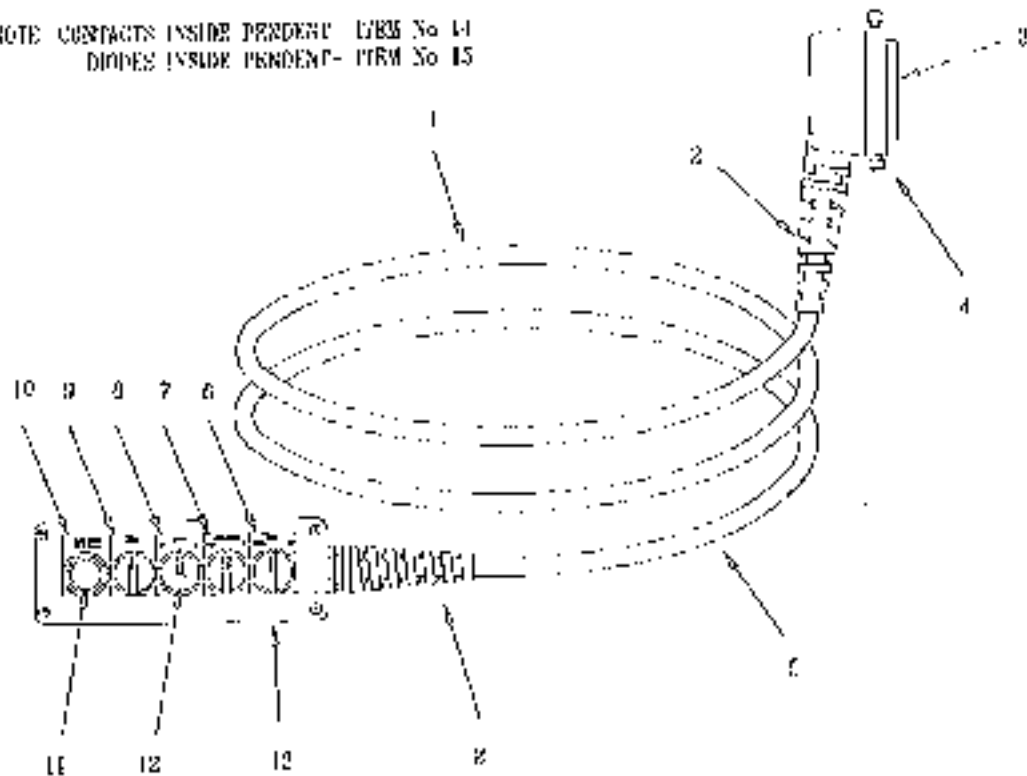


ITEM No.	DESCRIPTION	QTY	NOTES	ORDER PART No
1	4 FUNCTION 2 SPEED ELECTRIC HYDRAULIC MANIFOLD	1		1000/24/1
2	LARGE COIL (12 OR 24V SPECIFY ON ORDER)	1		1000/24/2
3	D SPOOL (LIFT)	1		1000/24/3
4	B SPOOL (EXTENSION)	1		1000/24/4
5	C SPOOL (FLW)	1		1000/24/5
6	A SPOOL (OPTION)	1		1000/24/6
7	SMALL COIL (12 OR 24V SPECIFY ON ORDER)	2		1000/24/7
8	FAST SPEED CARTRIDGE	1		1000/24/8
9	SLOW SPEED CARTRIDGE	1		1000/24/9
10	VALVE MOUNTING PLATE	1		1000/24/10
11	EARTH WIRING HARNESS	1		1000/24/11
12	BAKELITE FUSE HOLDER	1		1000/24/12
13	15 AMP 3AG FUSE	1		1000/24/13
14	PLUG MOUNTING PLATE	1		1000/24/14
15	10 PIN PLUG BASE	1		1000/24/15
16	16 PIN PLUG BASE	1		1000/24/16
17	COIL WIRING HARNESS	1		1000/24/17

# MACVORON HYDRAULIC CRANES

## 4 FUNCTION 2 SPEED ELECTRIC PENDENT ALL MODELS

NOTE CONTACTS INSIDE PENDENT- LTRM No 14  
DIODES INSIDE PENDENT- ITEM No 15



ITEM No.	DESCRIPTION	QTY	NOTES	ORDER PART No
1	COMPLETE 4 FUNCTION 2 SPEED PENDENT	1		1000/25/1
2	CABLE STRAINER C/T NCV	2		1000/25/2
3	16 PIN MALE INSERT	1		1000/25/3
4	16 PIN HOOD	1		1000/25/4
5	12 CORE CABLE	1	5 METERS	1000/25/5
6	LEGEND PLATE 300M-1.1 DOWN	1		1000/25/6
7	LEGEND PLATE EXTENSION-IN OUT	1		1000/25/7
8	LEGEND PLATE LEFT-LEFT RIGHT	1		1000/25/8
9	LEGEND PLATE (OPTION)	1		1000/25/9
10	LEGEND PLATE FAST SPEED - HOLD DOWN	1		1000/25/10
11	FAST SPEED PUSH BUTTON	1		1000/25/11
12	SELECTOR SWITCH	4		1000/25/12
13	5 BUTTON ENCLOSURE-EMPTY	1		1000/25/13
14	CONTACT BLOCK NORMALLY OPEN	1		1000/25/14
15	SOLDERED DIODE SET	1		1000/25/15